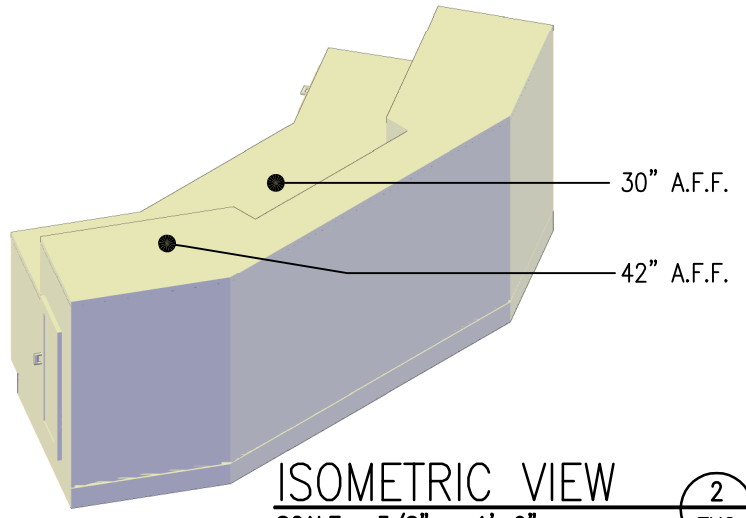


ISOMETRIC VIEW

SCALE: $3/8" = 1'-0"$

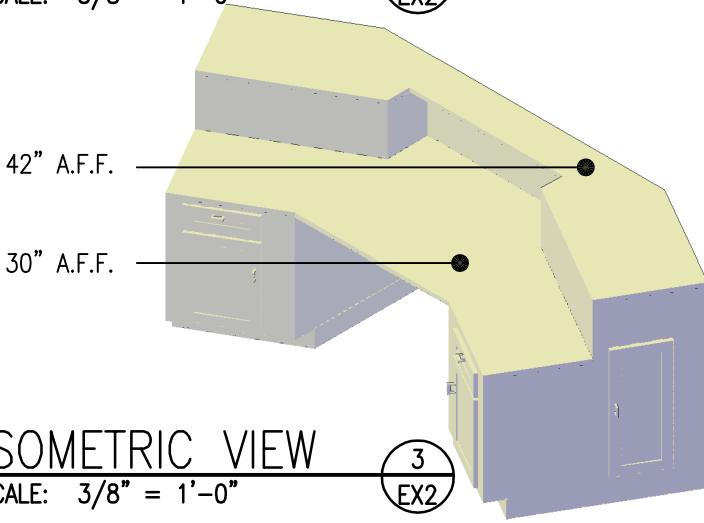
1
EX2



ISOMETRIC VIEW

SCALE: $3/8" = 1'-0"$

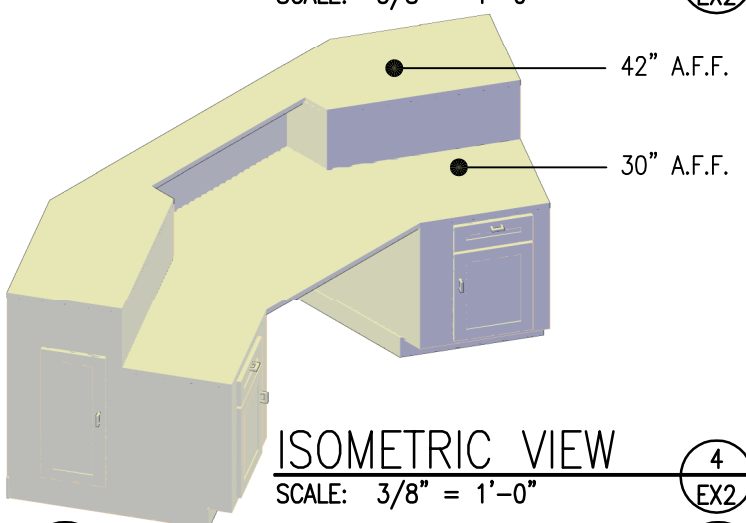
2
EX2



ISOMETRIC VIEW

SCALE: $3/8" = 1'-0"$

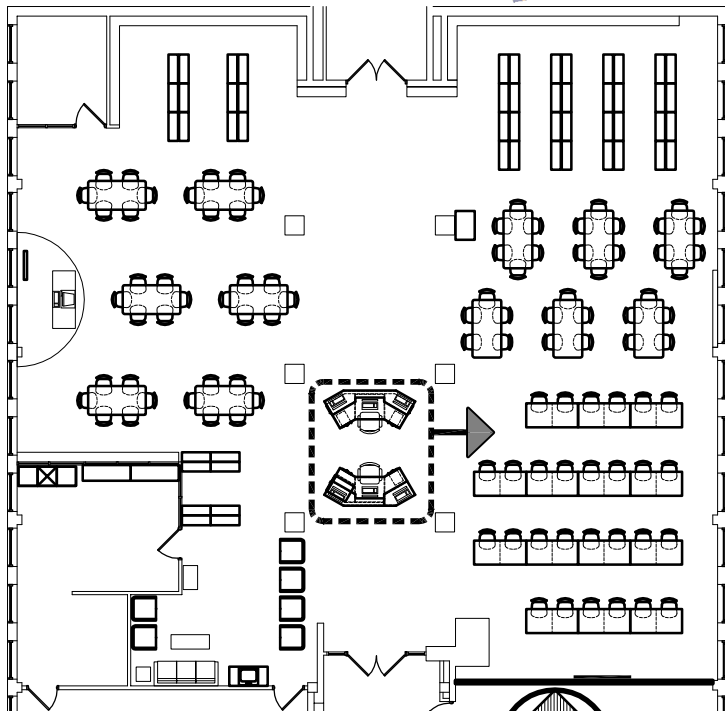
3
EX2



ISOMETRIC VIEW

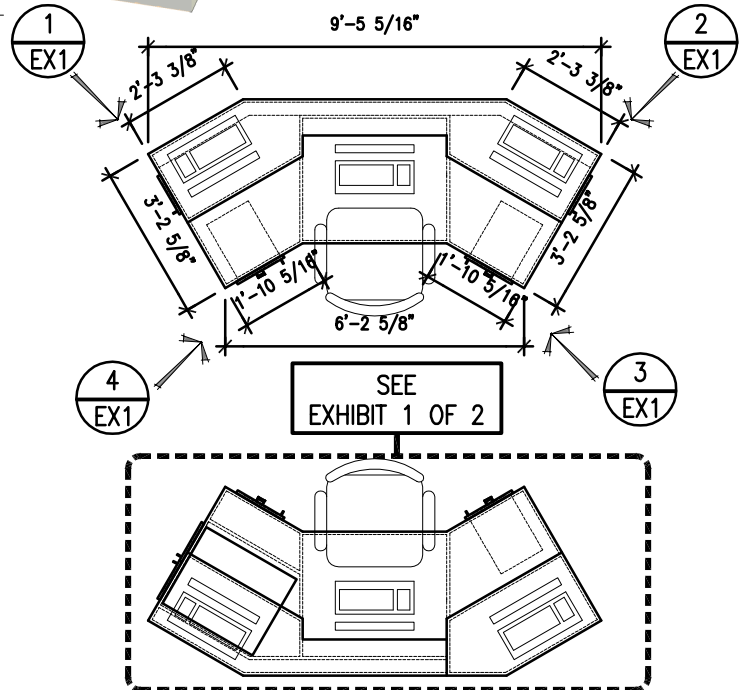
SCALE: $3/8" = 1'-0"$

4
EX2



FLOOR PLAN

SCALE: $1" = 20'-0"$



ENLARGED PLAN

SCALE: $1/4" = 1'-0"$