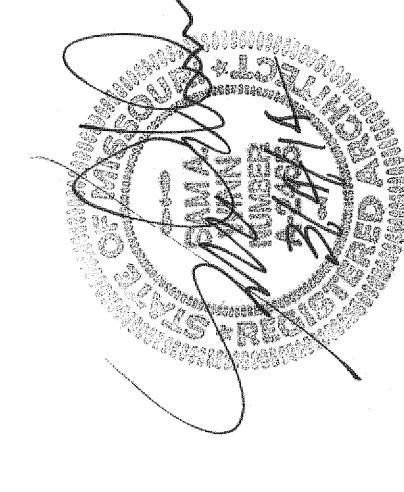


Sam A. Winn & Associates, P.C.
 ARCHITECTS, P.C.
 1647 SOUTH ENTERPRISE SPRINGFIELD, MO 65804
 FAX: (417) 882-1876 PHONE: (417) 882-7821
 WWW.SAMWINNARCH.COM



WINDOW RENOVATIONS TO MEXICO AREA VOCATIONAL
 & TECHNICAL SCHOOL, McWILLAN AND EUGENE FIELD
 ELEMENTARY SCHOOLS AND NEW ENTRANCE DOORS
 FOR HAWTHORNE ELEMENTARY SCHOOL
 MEXICO 59 SCHOOL DISTRICT
 AUDRAIN COUNTY, MISSOURI

Comm. No. 14025
 Date: 01-04-2014
 File: A2.0, A2.1, VO-TECH.DWG
 Last Saved By: SAM WINN AND ASSOCIATES ARCHITECTS, P.C.
 Owner: SAWA, WWW.SAMWINNARCH.COM

**VO-TECH
 DETAILS**

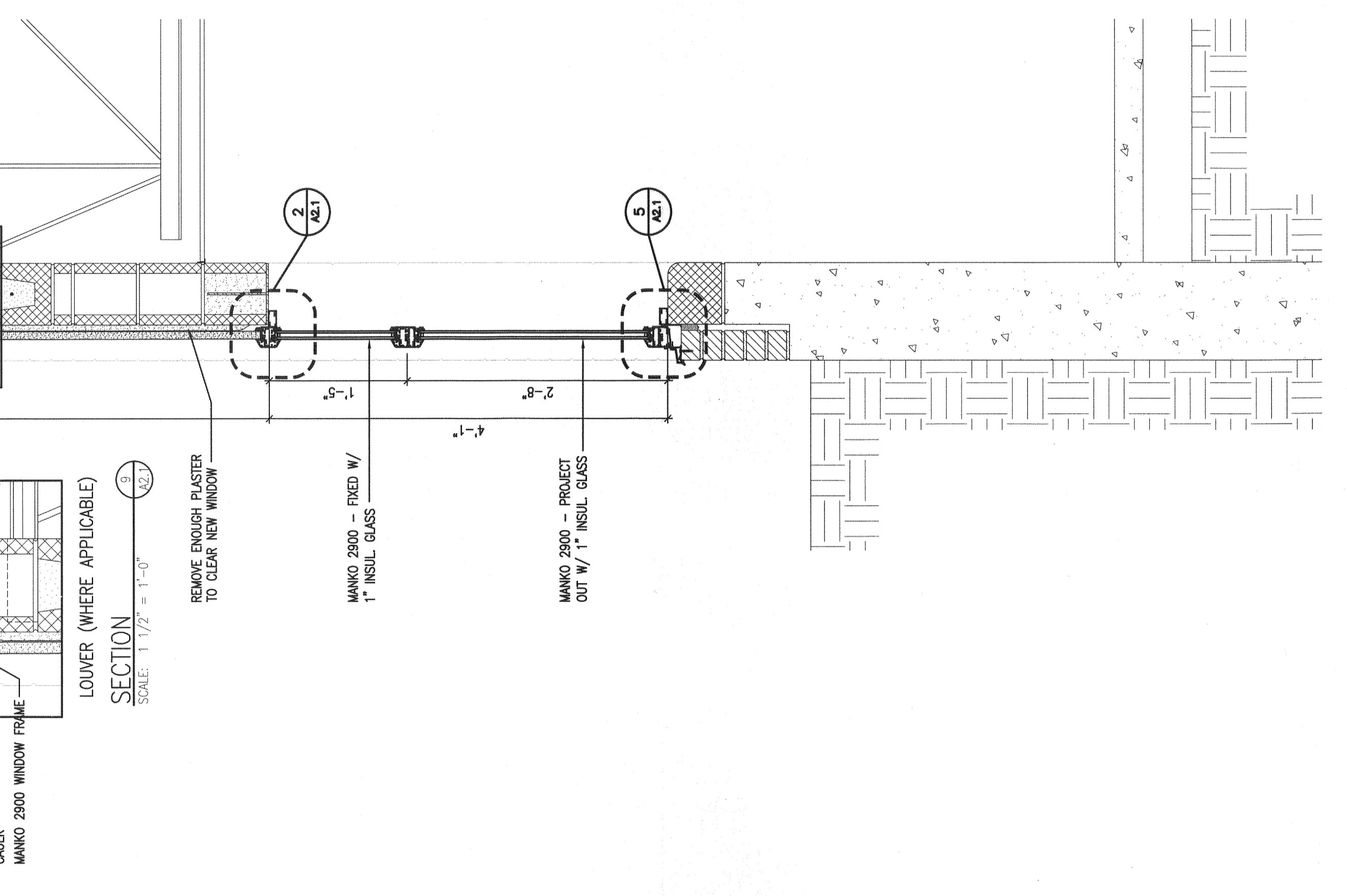
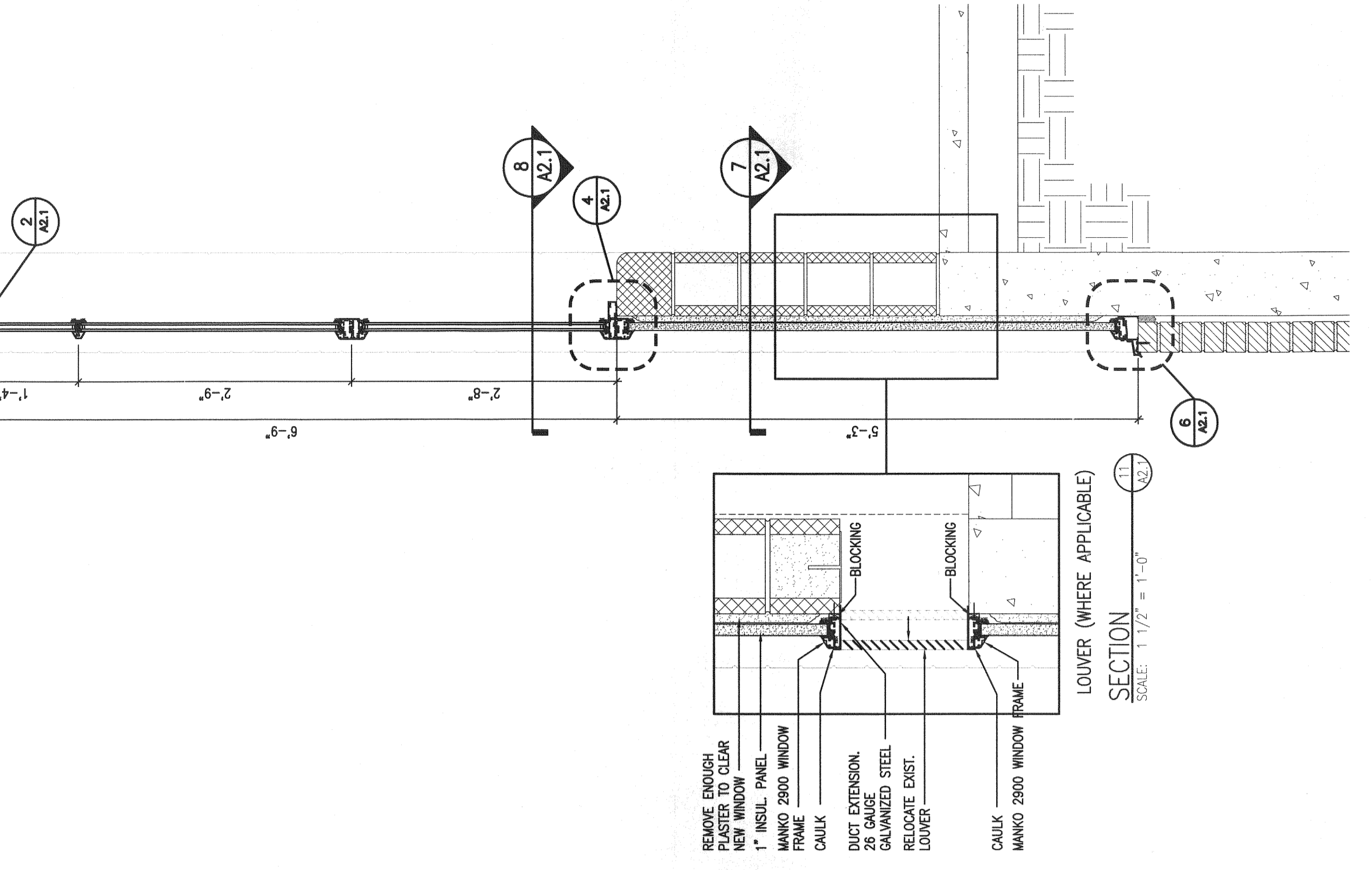
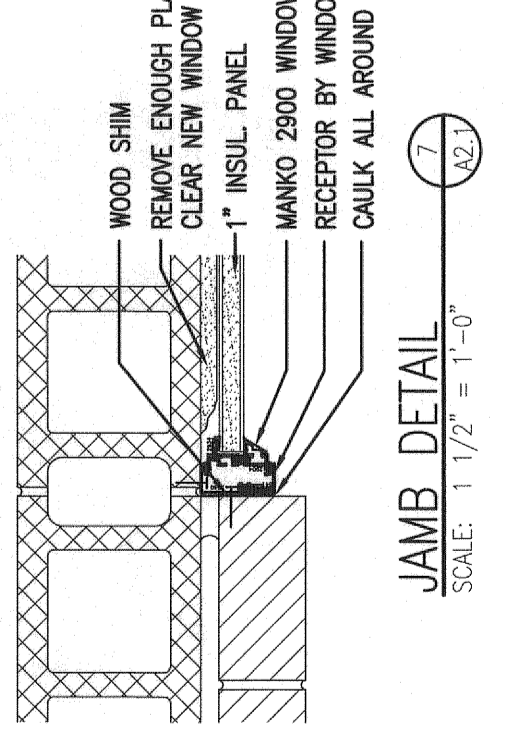
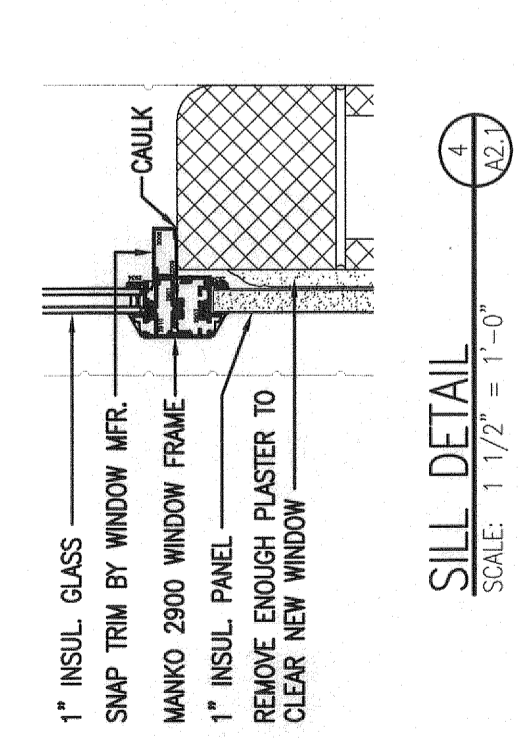
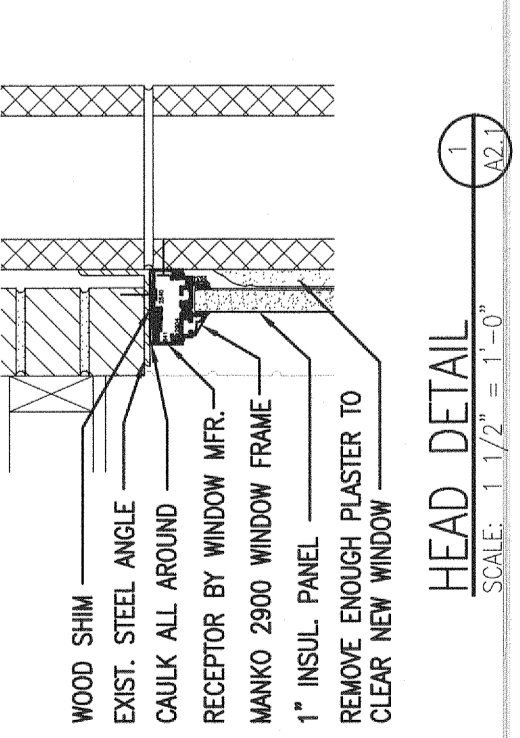
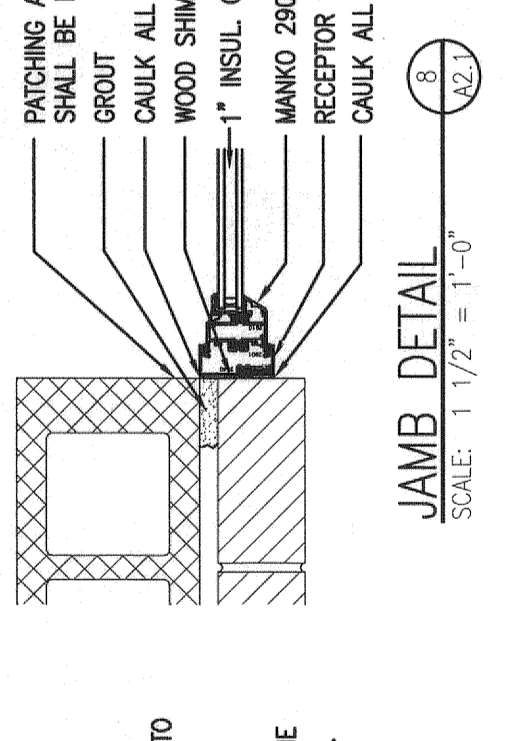
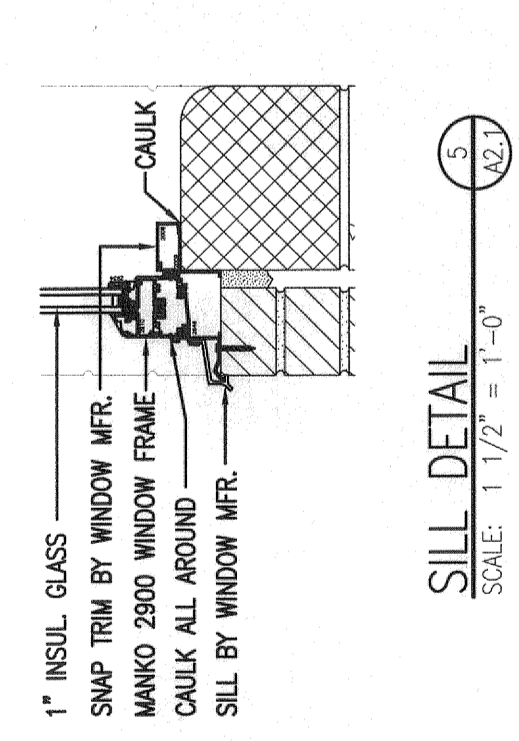
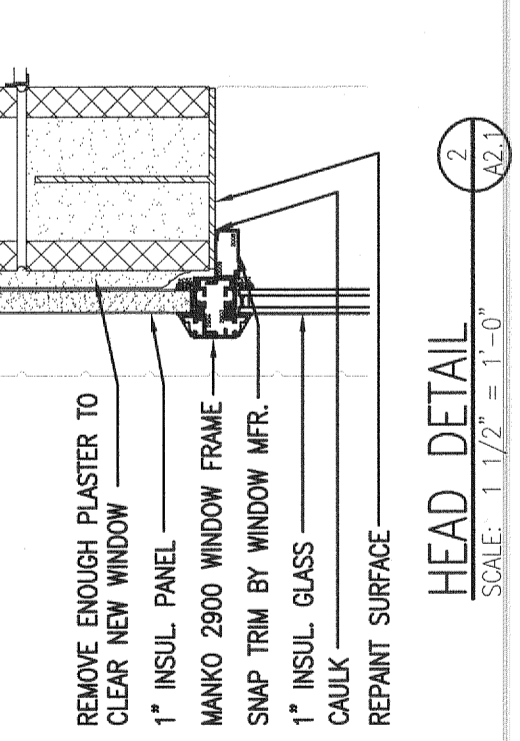
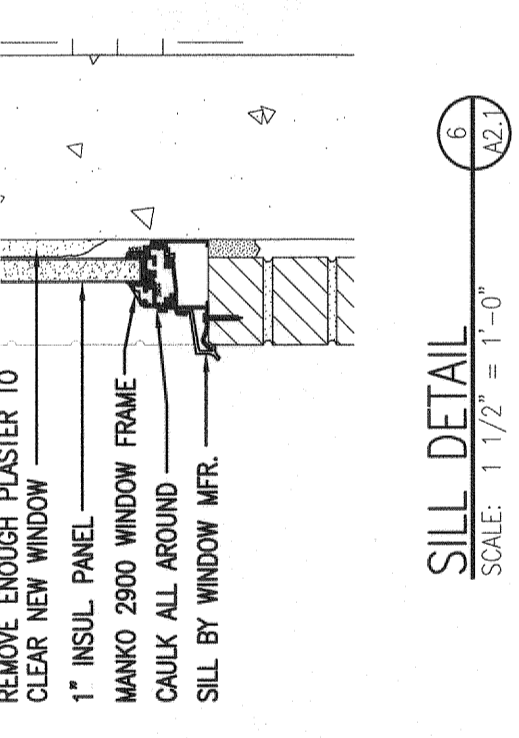
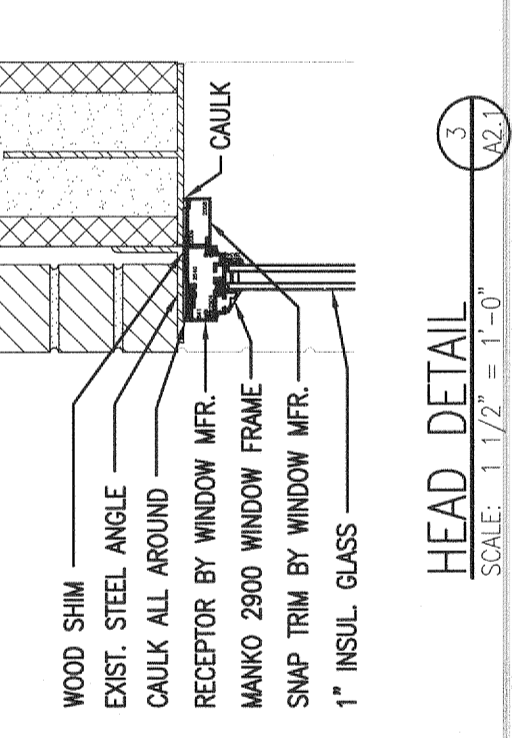
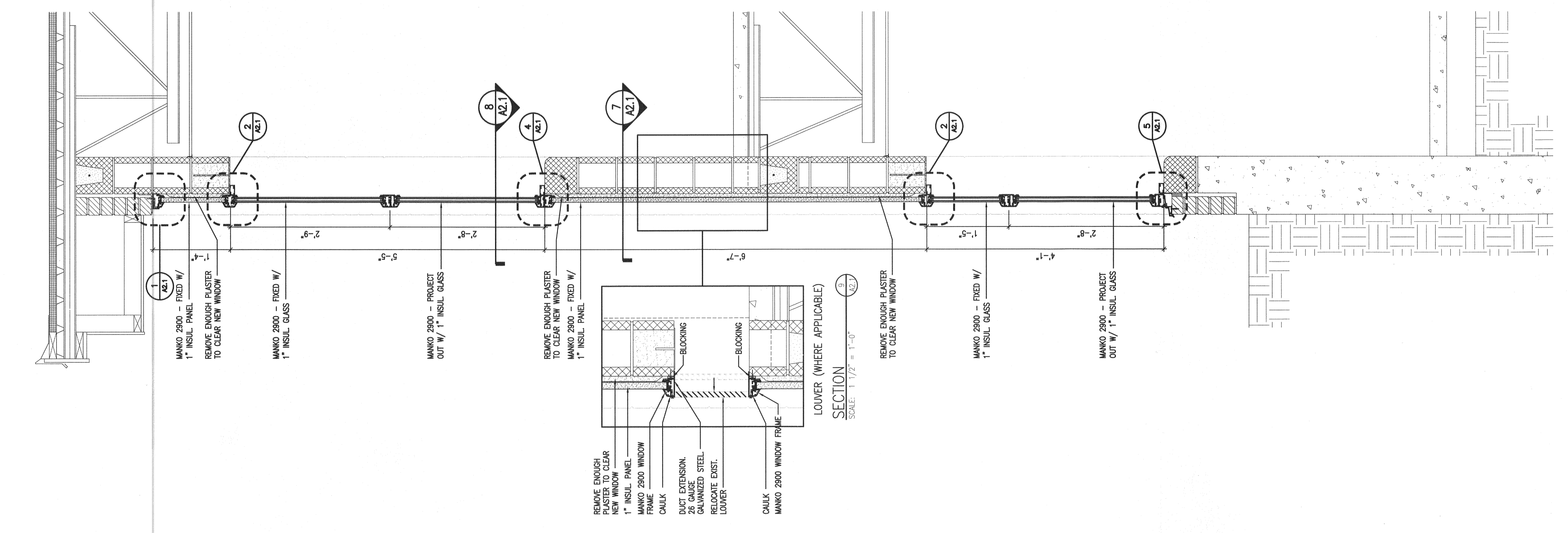
A2.1

BID PACKAGE — B
**MEXICO AREA VOCATIONAL &
 TECHNICAL SCHOOL WINDOW
 RENOVATIONS**

GENERAL NOTES: CONTRACTOR WILL REMOVE ALL EXISTING PENETRATIONS THROUGH EXISTING WINDOWS AND REINSTALL THROUGH NEW PREFINISHED PANELS. THIS WORK SHALL INCLUDE ALL WORK TO REMOVE EXISTING WINDOW UNITS, INCLUDING GLASS AND EXCLUDE ANY PENETRATIONS THAT ARE NOT SHOWN.
 1. ALL ALUMINUM WINDOWS REMOVED BY CONTRACTOR SHALL BE REINSTALLED BY CONTRACTOR.
 2. EXISTING BEINGS TO BE REMOVED BY THE OWNER.

SPECIFIC NOTE: THE WINDOW INSTALLER IS RESPONSIBLE FOR THE PROPER INSTALLATION OF INSULATION PRIOR TO FABRICATION OR INSTALLATION.

TYPICAL: CAULK/EA, WINDOW AT INTERIOR AND EXTERIOR AT HEAD, JAMB, AND SILL.
 ALL ALUM. SUBSHELLS SHALL EXTEND OVER WALL BELOW AND MUST HAVE A DRIP EDGE.



SECTION SCALE: 1/2" = 1'-0"

SECTION SCALE: 1/2" = 1'-0"

FILE PATH: P:\PROJECTS\MEXICO 59 SCHOOL DISTRICT WINDOW RENOVATIONS\A2.1, A2.1 VO-TECH.DWG