

Revision Number
 Revision Date

Comm. No. 1402C
 Date: 01-04-2014
 File: A3.0 EUGENE FIELD.DWG
 List Saved By: SAM WINN
 Owner: SAM WINN ARCHITECTS, P.C.

EUGENE FIELD PLAN, DETAILS, ELEVATIONS

A3.0

NORTH ELEVATION
 NO SCALE

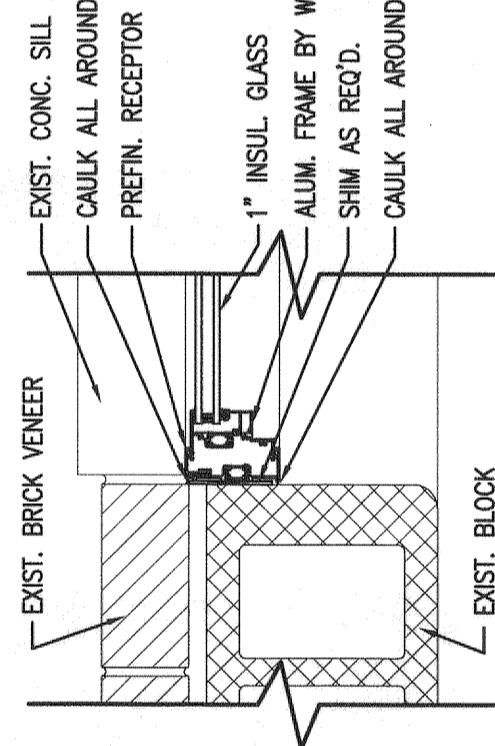
EUGENE FIELD ELEMENTARY WINDOW SCHEDULE

MARK	DESCRIPTION	OPENING DIMENSION		GLAZING	SECTION		REMARKS
		WIDTH	HEIGHT		JAMB	SILL	
(R)	MANKO 35271 - 3 1/2" FRAME - WINNING (PROJECT OUT) / FIXED	14'-0 1/2" (-F.V.)	6'-10 5/8" (-F.V.)	1" INSULATED / 1" INSULATED PANEL	9/A3.0	7/A3.0	VERY EXIST. HEAD/JAMB/SILL CONDITIONS PRIOR TO INSTALLATION
(S)	MANKO 35271 - 3 1/2" FRAME - WINNING (PROJECT OUT) / FIXED	10'-3 1/2" (-F.V.)	6'-10 5/8" (-F.V.)	1" INSULATED / 1" INSULATED PANEL	9/A3.0	8/A3.0	VERY EXIST. HEAD/JAMB/SILL CONDITIONS PRIOR TO INSTALLATION
(T)	MANKO 35271 - 3 1/2" FRAME - WINNING (PROJECT OUT) / FIXED	7'-3 1/2" (-F.V.)	6'-10 5/8" (-F.V.)	1" INSULATED / 1" INSULATED PANEL	9/A3.0	8/A3.0	VERY EXIST. HEAD/JAMB/SILL CONDITIONS PRIOR TO INSTALLATION
(U)	MANKO 35271 - 3 1/2" FRAME - WINNING (PROJECT OUT) / FIXED	11'-0 1/2" (-F.V.)	6'-10 5/8" (-F.V.)	1" INSULATED / 1" INSULATED PANEL	9/A3.0	8/A3.0	VERY EXIST. HEAD/JAMB/SILL CONDITIONS PRIOR TO INSTALLATION
(V)	MANKO 35271 - 3 1/2" FRAME - WINNING (PROJECT OUT) / FIXED	11'-0 1/2" (-F.V.)	6'-10 5/8" (-F.V.)	1" INSULATED / 1" INSULATED PANEL	9/A3.0	8/A3.0	VERY EXIST. HEAD/JAMB/SILL CONDITIONS PRIOR TO INSTALLATION
(W)	MANKO 35271 - 3 1/2" FRAME - WINNING (PROJECT OUT) / FIXED	11'-0 1/2" (-F.V.)	6'-10 5/8" (-F.V.)	1" INSULATED / 1" INSULATED PANEL	9/A3.0	8/A3.0	VERY EXIST. HEAD/JAMB/SILL CONDITIONS PRIOR TO INSTALLATION
(X)	MANKO 35271 - 3 1/2" FRAME - WINNING (PROJECT OUT) / FIXED	5'-8 1/2" (-F.V.)	6'-10 5/8" (-F.V.)	1" INSULATED / 1" INSULATED PANEL	9/A3.0	8/A3.0	VERY EXIST. HEAD/JAMB/SILL CONDITIONS PRIOR TO INSTALLATION
(Y)	MANKO 35271 - 3 1/2" FRAME - WINNING (PROJECT OUT) / FIXED	5'-8 1/2" (-F.V.)	6'-10 5/8" (-F.V.)	1" INSULATED / 1" INSULATED PANEL	9/A3.0	8/A3.0	VERY EXIST. HEAD/JAMB/SILL CONDITIONS PRIOR TO INSTALLATION

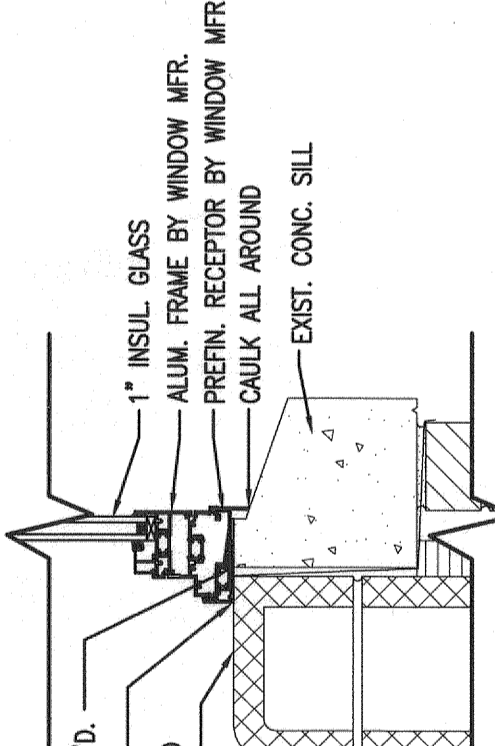
BID PACKAGE - C
EUGENE FIELD ELEMENTARY
SCHOOL WINDOW RENOVATIONS

GENERAL NOTES:
 1. THE CONTRACTOR WILL REMOVE ALL EXISTING PENETRATIONS AT HEAD, JAMB, AND SILL.
 2. ALL ALUMINUM WINDOWING RELATED BY CONTRACTOR SHALL REMAIN THE PROPERTY OF THE OWNER.
 3. EXISTING WINDOW PENETRATIONS SHALL BE REMOVED BY THE CONTRACTOR AND SHALL REMAIN THE PROPERTY OF THE OWNER.

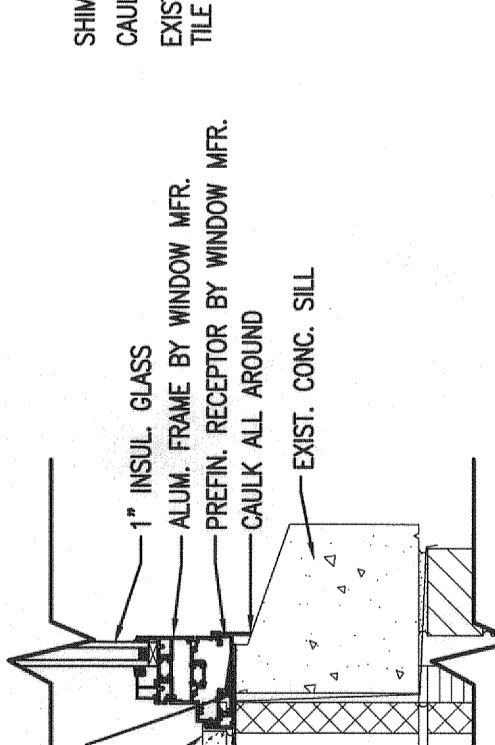
TYPICAL:
 CALK EA. WINDOW AT INTERIOR AND EXTERIOR AT HEAD, JAMB, AND SILL.
 1" INSUL. GLASS ALUM. FRAME BY WINDOW MFR. CAULK ALL AROUND.



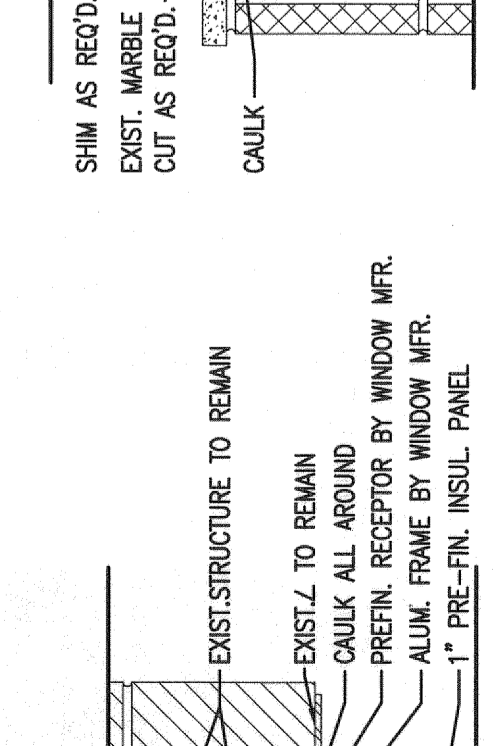
JAMB DETAIL
 SCALE: 1 1/2" = 1'-0"



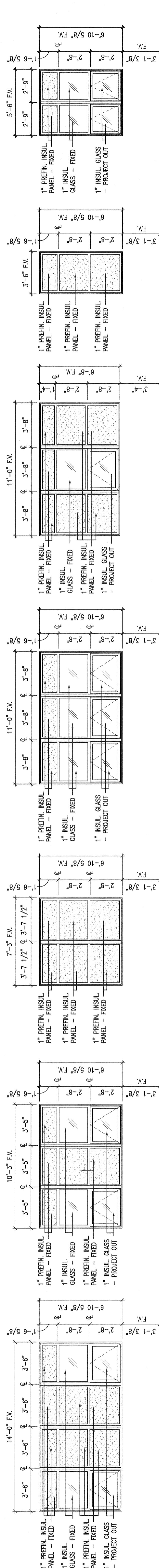
SILL DETAIL
 SCALE: 1 1/2" = 1'-0"



SILL DETAIL
 SCALE: 1 1/2" = 1'-0"

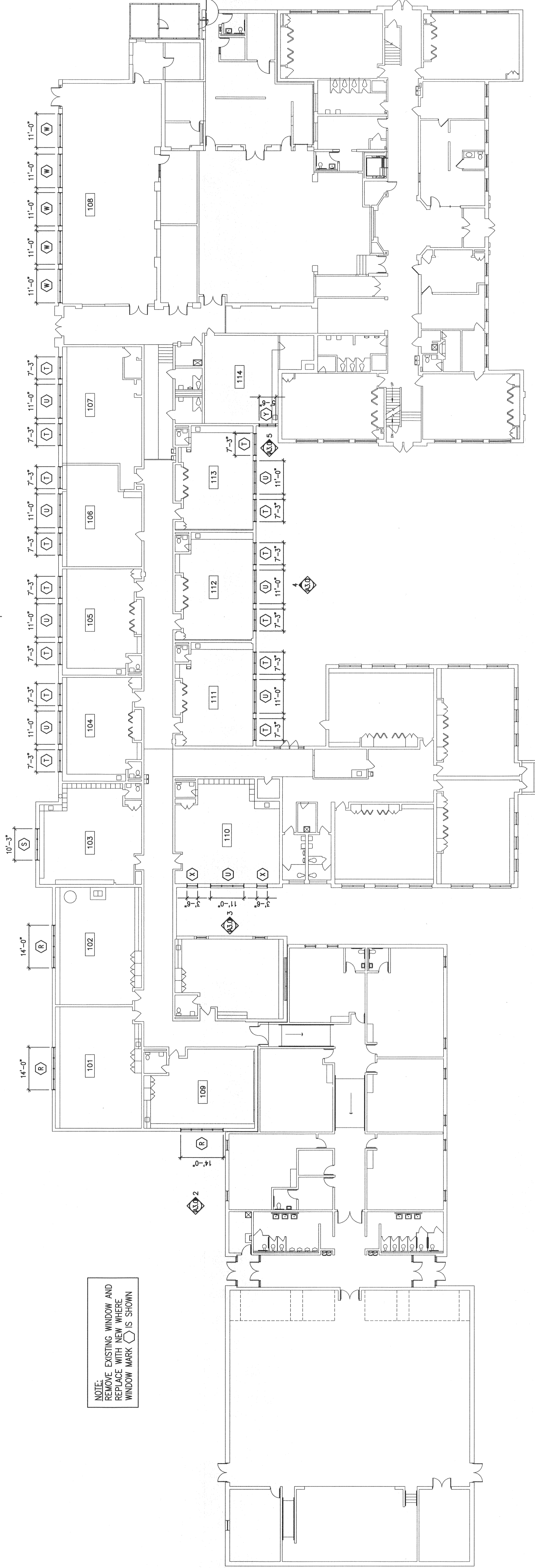


HEAD DETAIL
 SCALE: 1 1/2" = 1'-0"



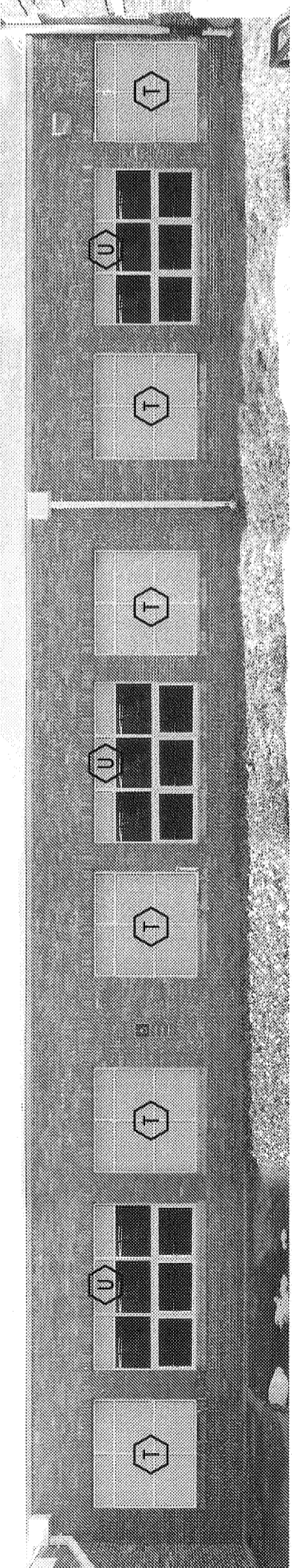
EUGENE FIELD ELEMENTARY WINDOW FRAME ELEVATIONS: MARKS R-Y

SCALE: 1/4" = 1'-0"

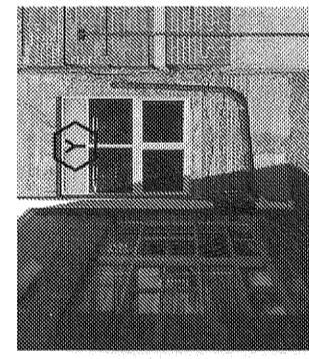


EUGENE FIELD ELEM. FLOOR PLAN
 SCALE: 1/16" = 1'-0"

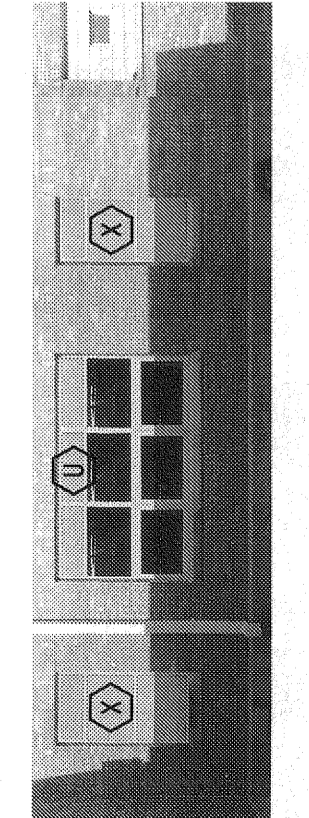
WEST ELEVATION
 NO SCALE



NORTH ELEVATION
 NO SCALE



EAST ELEVATION
 NO SCALE



NORTH ELEVATION
 NO SCALE

NORTH ELEVATION
 NO SCALE

