

WATER HEATER SCHEDULE										
MARK	MANUFACTURER	MODEL NO.	TYPE	CAPACITY (GAL.)	RECOVERY (GPH@100°F)	INPUT		OUTPUT (MBH)	VOLT/PH	ACCESSORIES
						GAS (MBH)	ELEC (KW)			
WH1	A. O. SMITH	DEL-40	ELEC.	40	25	---	4.5	---	208/1	PTRV
WH2	A. O. SMITH	BTH-250	GAS	100	273	240	---	---	120/1	PTRV

NOTES:
ABBREVIATIONS:
PTRV - PRESSURE TEMPERATURE & RELIEF VALVE.

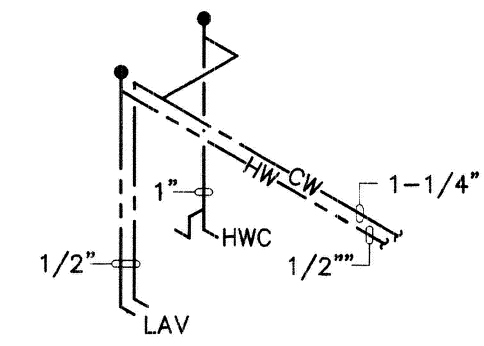
PLUMBING FIXTURE SCHEDULE									
MARK	DESCRIPTION	MANUFACTURER	MODEL NO.	ACCESSORIES	PIPING REQUIREMENTS			REMARKS	APPROVED MANUFACTURERS
					WASTE	VENT	SUPPLY		
WC	WATER CLOSET (FLUSH VALVE TYPE)	TOTO	CT705	ZURN #2600AV-1-CPM-WSI-YK SENSOR OPERATED BATTERY POWERED FLUSH VALVE WITH SOLID RING PIPE SUPPORT AND CHURCH #315SSSC WHITE OPEN FRONT SEAT COMPLETE WITH BOLT CAPS	4"	2"	1"	---	AMERICAN STANDARD, ELIER, KOHLER AND CRANE
HWC	HANDICAP ACCESSIBLE WATER CLOSET (FLUSH VALVE TYPE)	TOTO	CT705L	ZURN #2600AV-1-CPM-WSI-YK SENSOR OPERATED BATTERY POWERED FLUSH VALVE WITH SOLID RING PIPE SUPPORT AND CHURCH #315SSSC WHITE OPEN FRONT SEAT COMPLETE WITH BOLT CAPS	4"	2"	1"	---	AMERICAN STANDARD, ELIER, KOHLER AND CRANE
URN	URINAL (WALL MOUNTED)	TOTO	UT447	ZURN #2600AV-1-CPM-WSI-YK SENSOR OPERATED BATTERY POWERED FLUSH VALVE WITH SOLID RING PIPE SUPPORT	2"	1-1/2"	3/4"	---	AMERICAN STANDARD, ELIER, KOHLER AND CRANE
LAV	HANDICAP ACCESSIBLE LAVATORY (WALL MOUNTED)	TOTO	LT307 (SINGLE HOLE)	CHICAGO FAUCET GEBERT #115 729.21.1 SENSOR OPERATED BATTERY POWERED CENTERSET FAUCET WITH GRID DRAIN, WATTS #JUS-B THERMOSTATIC MIXING VALVE (SET AT 110° F.), JAY R. SMITH #0710 FLOOR MOUNTED LAVATORY SUPPORTS AND TRUEBRO #2018-TO-L LAV SHIELD	2"	1-1/2"	1/2"	MOUNT FLUSH TO WALL	AMERICAN STANDARD, ELIER, KOHLER AND CRANE
HDF	BARRIER-FREE TWO STATION DRINKING FOUNTAIN	ELKAY	EZSL8C	#KAPREZL APRON, INSTALL ON UPPER UNIT	2"	1-1/2"	1/2"	UPPER RIM HEIGHT 40" A.F.F. (VERIFY).	HALSEY TAYLOR, HAWS AND GASSI
SK	SINGLE COMPARTMENT SINK	JUST	SL-17519-A-GR	#J-99 STRAINER AND CHICAGO FAUCET #785-CP FAUCET	2"	1-1/2"	1/2"	---	ELKAY
HSK	HAND SINK	JUST	A-544-FS	#J-47-TGSA FAUCET, #J-15-FS DRAIN AND WATTS #JUS-B THERMOSTATIC MIXING VALVE (SET AT 110° F.)	2"	1-1/2"	1/2"	---	ELKAY
MB	MOP BASIN	FIAT	MSB-2424	#830-AA SERVICE FAUCET, #832-AA HOSE AND BRACKET AND #889-CC-24" MOP HANGER	2"	1-1/2"	1/2"	WITH VACUUM BREAKER	SWANSTONE AND STERN WILLIAMS
HB	HOSE BIBB (EXTERIOR)	WOODFORD	MODEL 67	WITH WALL CLAMP	---	---	3/4"	WITH VACUUM BREAKER	ZURN AND JAY R. SMITH
FD	FLOOR DRAIN	JAY R. SMITH	2010-A-(PB)	---	2"	1-1/2"	---	---	ZURN, WADE, MIFAB AND JOSAM
FS	FLOOR SINK	JAY R. SMITH	3004	---	3"	1-1/2"	---	---	ZURN, WADE, MIFAB AND JOSAM
CD	CLEANOUT (INTERIOR)	JAY R. SMITH	4020-Y	---	SEE PLAN	---	---	SAME SIZE AS LINE.	ZURN, WADE, MIFAB AND JOSAM
CD	CLEANOUT (EXTERIOR)	JAY R. SMITH	4250	---	SEE PLAN	---	---	SAME SIZE AS LINE.	ZURN, WADE, MIFAB AND JOSAM
KD	KETTLE DRAIN	ZURN	Z1761	---	4"	---	---	---	JAY R. SMITH, WADE, MIFAB AND JOSAM

NOTES:
1. COORDINATE THE ROUGH-IN OF ALL PLUMBING FIXTURES WITH THE ARCHITECTURAL PLANS.

KITCHEN PLUMBING ROUGH-IN SCHEDULE									
P1	1/2" HW	12" AFF	BAKER'S SINK SUPPLY						
P2	1/2" CW	12" AFF	BAKER'S SINK SUPPLY						
P3	1/2" HW	12" AFF	PREP SINK SUPPLY						
P4	1/2" CW	12" AFF	PREP SINK SUPPLY, TEE TO DISPOSAL SOLENOID						
P5	1/2" CW	24" AFF	TILTING KETTLE SUPPLY						
P6	1/2" HW	24" AFF	TILTING KETTLE SUPPLY						
P7	1/2" HW	12" AFF	PRE RINSE SUPPLY						
P8	2" DRAIN	10" AFF	DISPOSAL DRAIN						
P9	1/2" CW	12" AFF	PRE RINSE SUPPLY, TEE TO DISPOSAL SOLENOID						
P10	3/4" HW	24" AFF	BOOSTER HEATER SUPPLY, TEE TO DISHWASHER						
P11	3/4" CW	12" AFF	TO (2) 3 COMP. SINK SUPPLY LOCATIONS						
P12	3/4" HW	12" AFF	TO (2) 3 COMP. SINK SUPPLY LOCATIONS						
P13	1/2" CW	12" AFF	PRE RINSE SINK SUPPLY, TEE TO DISPOSAL SOLENOID						
P14	2" DRAIN	10" AFF	DISPOSAL DRAIN						
P15	1/2" HW	12" AFF	PRE RINSE SINK SUPPLY						
P16	1/2" CW	VERIFY	SUPPLY FOR OWNER SUPPLIED ICE MACHINE						
P17	2" DRAIN	10" AFF	DISPOSAL DRAIN						
G1	10 BURNER RANGE	3/4" NPT CONNECTION	30,000 BTUH						
G2	TILTING KETTLE	3/4" NPT CONNECTION	140,000 BTUH						
G3	FRYER	3/4" NPT CONNECTION	110,000 BTUH						

NOTE:
COORDINATE THE ROUGH-IN OF ALL KITCHEN EQUIPMENT WITH KITCHEN EQUIPMENT SUPPLIER.

NOTE:
SEE PLUMBING FIXTURE SCHEDULE FOR PLUMBING FIXTURE SUPPLY PIPING SIZE.

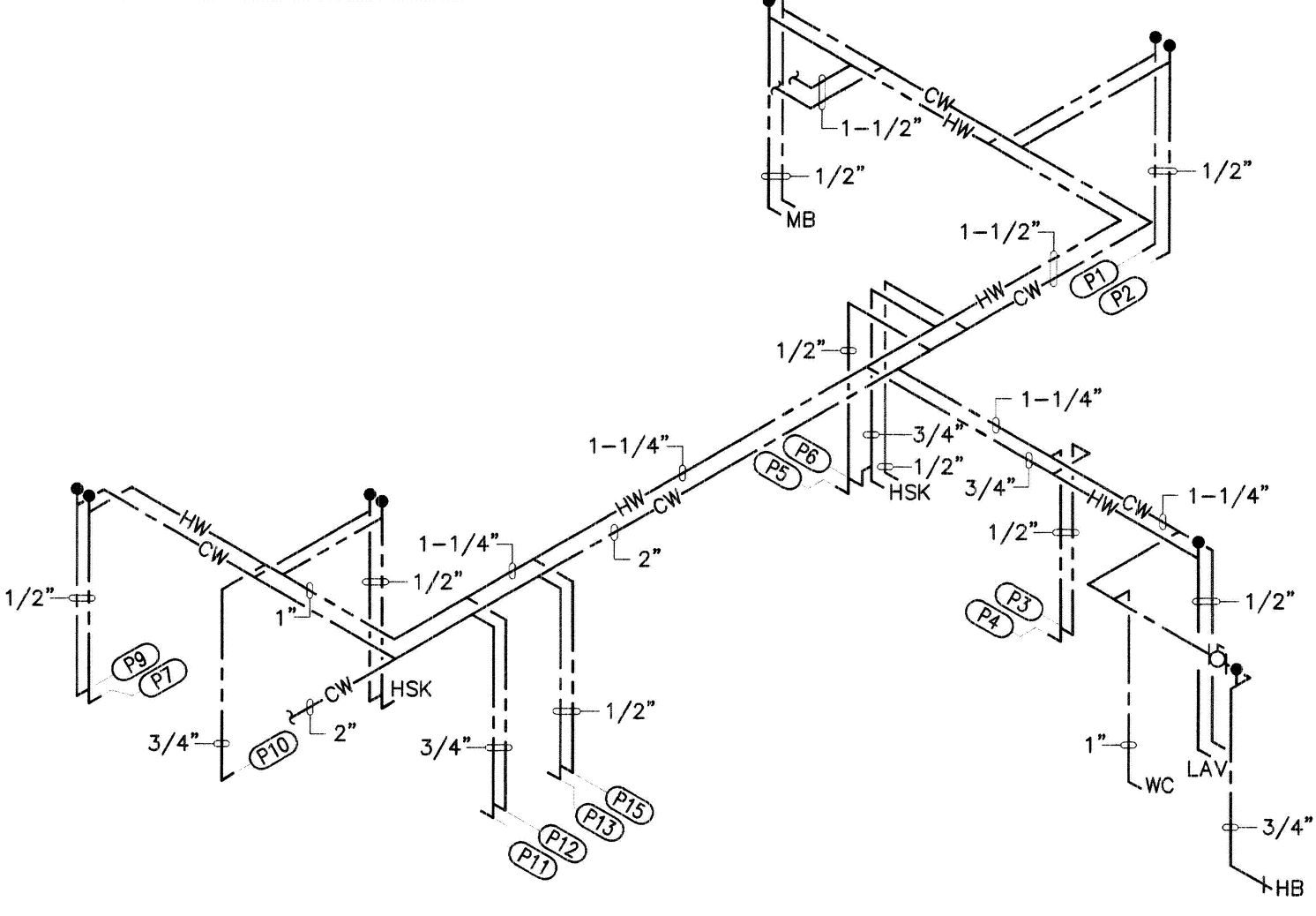


SUPPLY PIPING RISER DIAGRAM

NOT TO SCALE

4
P1-3

NOTE:
SEE PLUMBING FIXTURE SCHEDULE FOR PLUMBING FIXTURE SUPPLY PIPING SIZE.

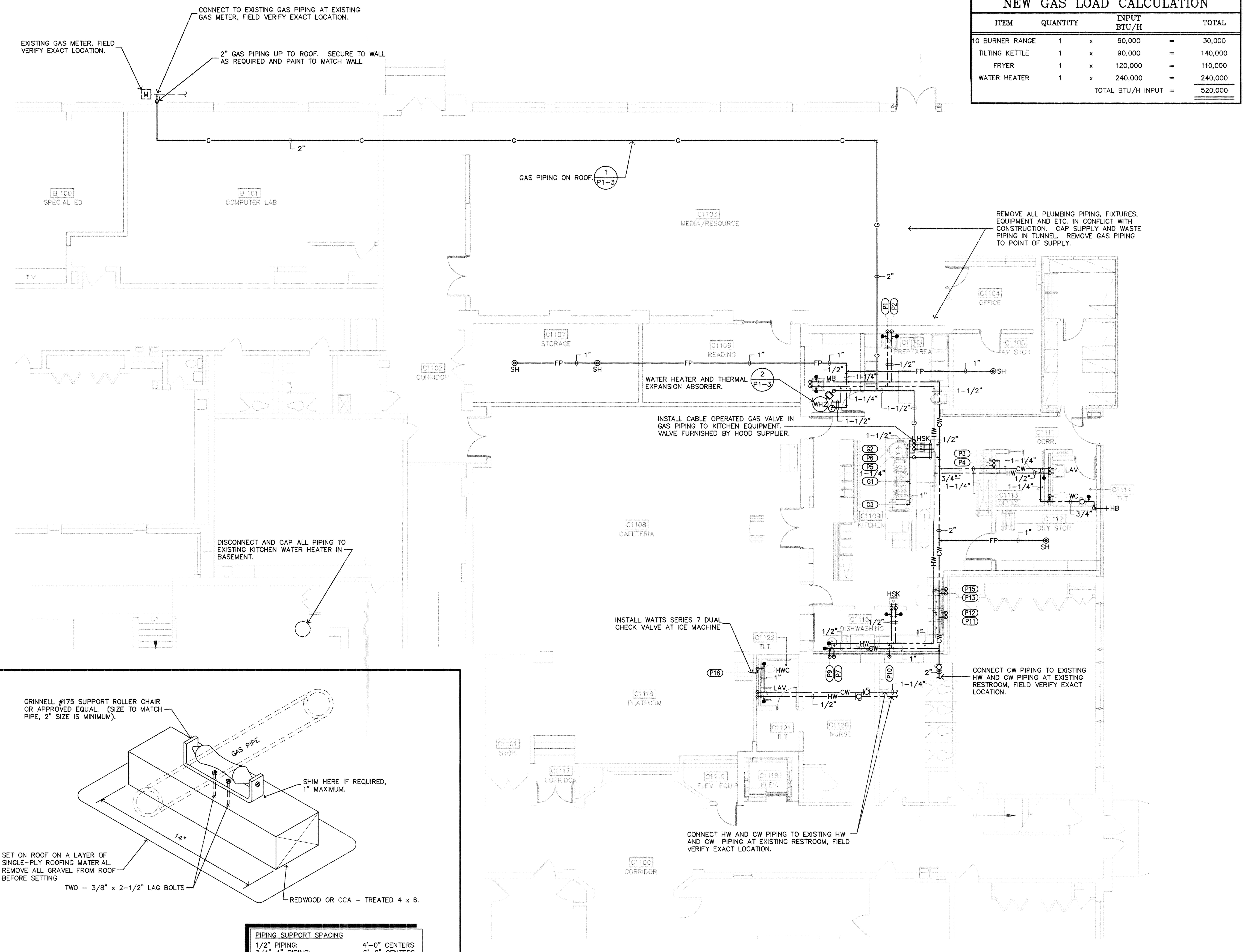


SUPPLY PIPING RISER DIAGRAM

NOT TO SCALE

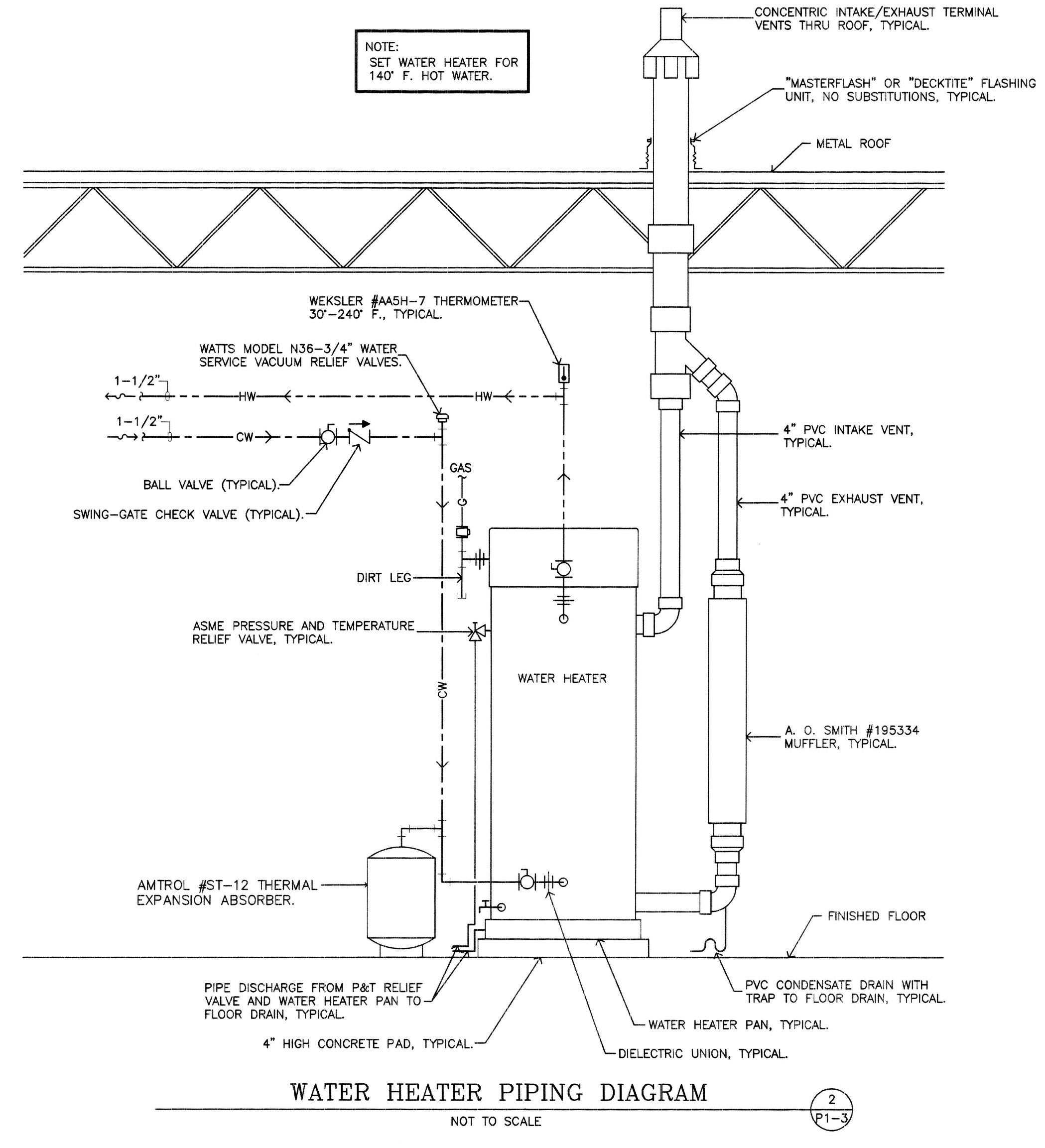
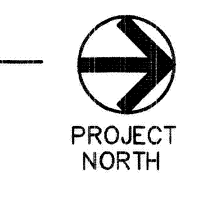
3
P1-3

NEW GAS LOAD CALCULATION				
ITEM	QUANTITY	INPUT BTU/H		TOTAL
10 BURNER RANGE	1	x 60,000	=	30,000
TILTING KETTLE	1	x 90,000	=	140,000
FRYER	1	x 120,000	=	110,000
WATER HEATER	1	x 240,000	=	240,000
				TOTAL BTU/H INPUT = 520,000



SUPPLY PIPING PLAN - BUILDING REMODEL

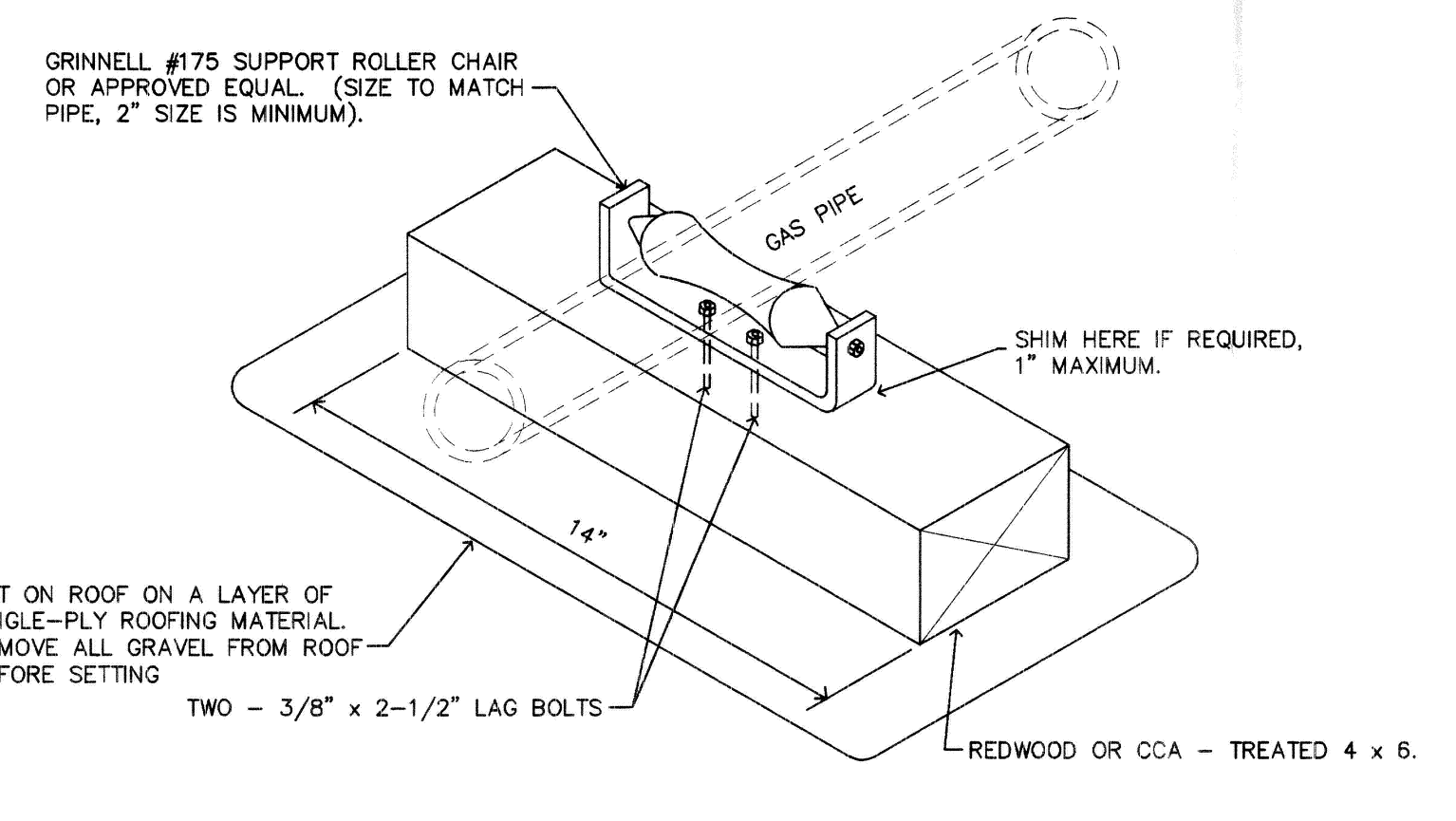
SCALE: 1/8" = 1'-0"



WATER HEATER PIPING DIAGRAM

NOT TO SCALE

2
P1-3



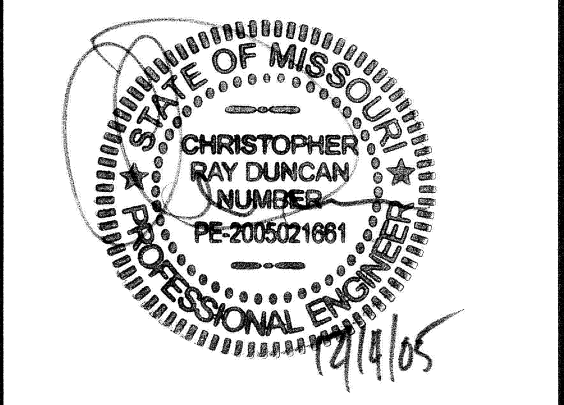
GAS PIPING SUPPORT DETAIL

NOT TO SCALE

1
P1-3

Revision Number: _____
Revision Date: _____

LAROSE & SCHOBER
3015 S. FORT AVE. SUITE D
SPRINGFIELD, MO 65807
PHONE 417.881.1506
FAX 417.881.8390
LAROSE-SCHOBER.COM



ADDITION AND ALTERATIONS
TO EXISTING EUGENE FIELDS
ELEMENTARY SCHOOL

MEXICO 59 SCHOOLS

AUDRIAN COUNTY
MEXICO, MISSOURI

COPYRIGHT 2004 SAM WINN AND ASSOCIATES ARCHITECTS, P.C.

SAW
Sam A. Winn & Associates
ARCHITECTS, P.C.
A.I.A.
1043 SOUTH ENTERPRISE
SPRINGFIELD, MO 65804
(417) 882-7821
FAX (417) 882-8776

AREA 'B' & 'C'
SUPPLY PIPING
PLAN

Comm. No. #0533
Date: 10-31-2005

P1-3