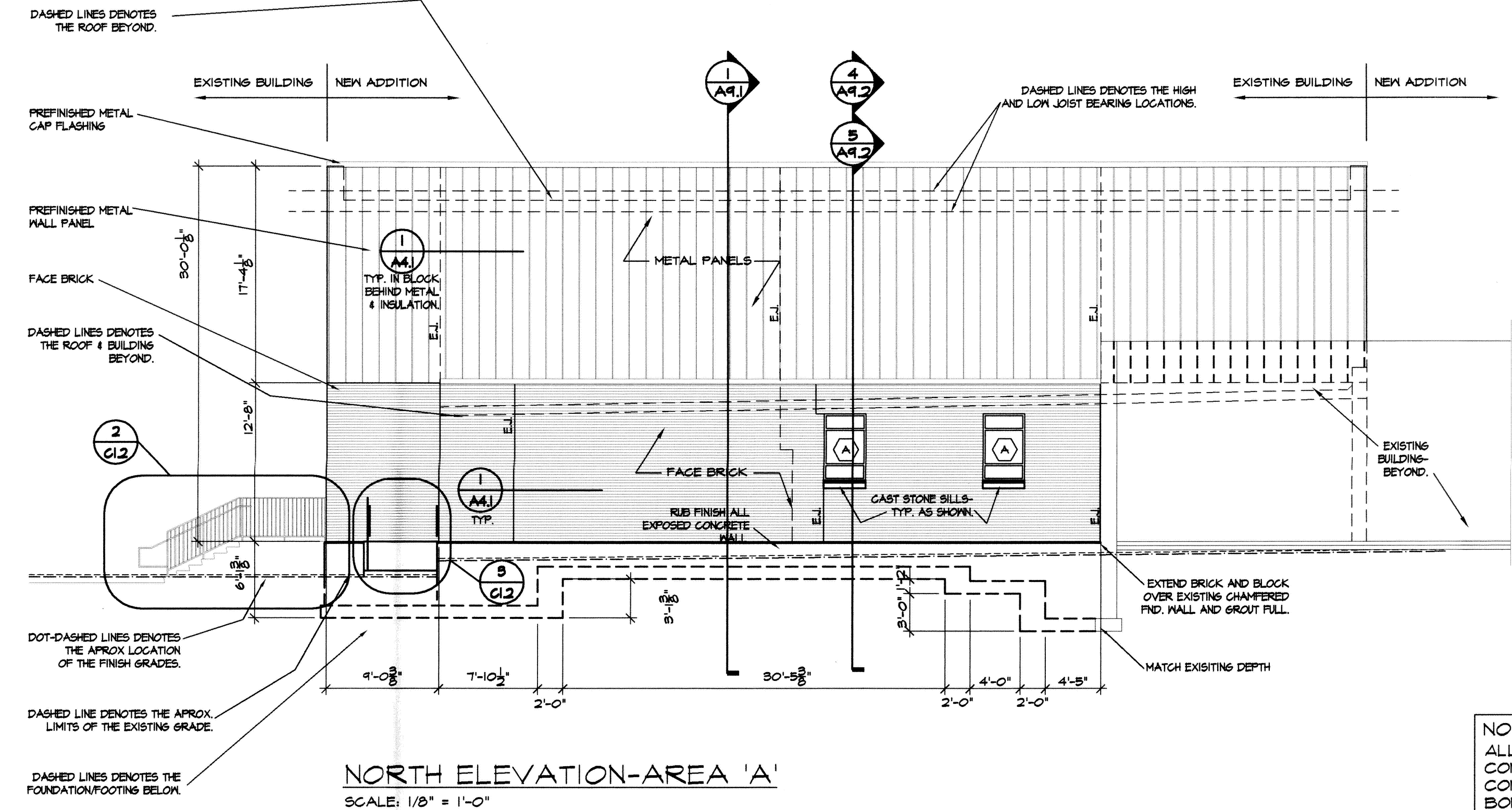
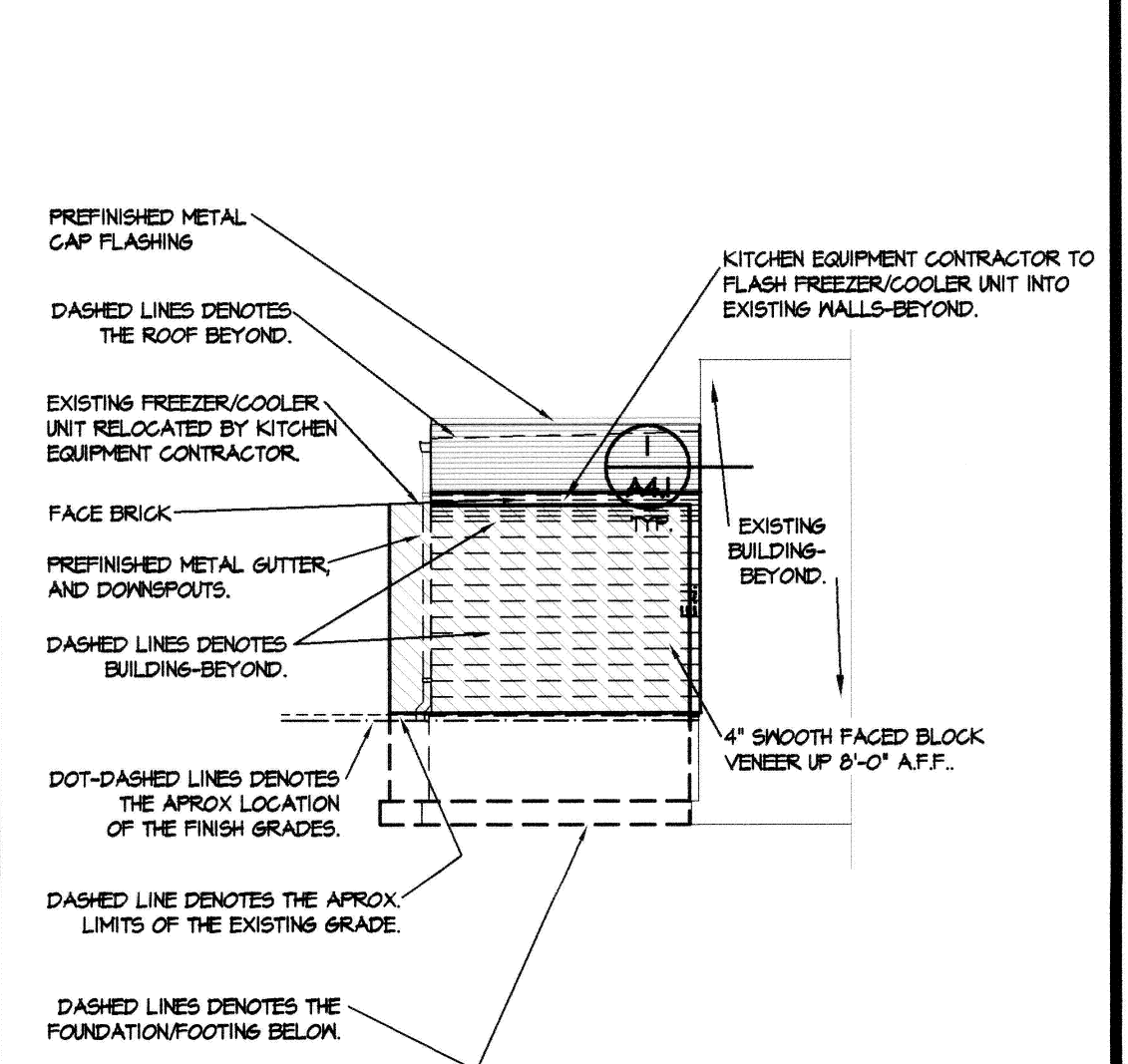


**SOUTH ELEVATION-AREA 'A'**  
SCALE: 1/8" = 1'-0"

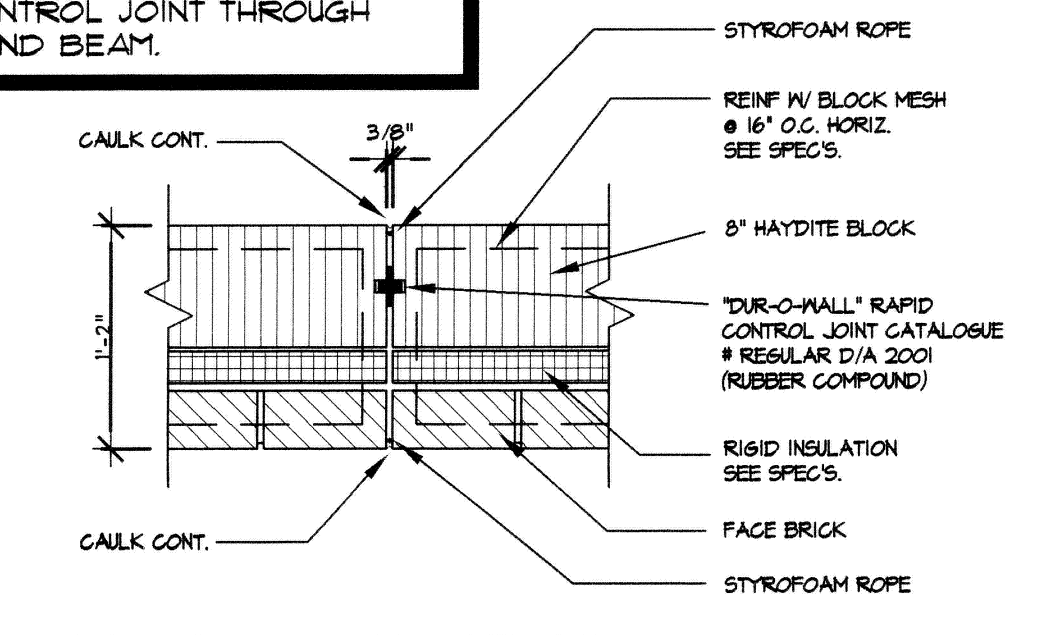


**NORTH ELEVATION-AREA 'A'**  
SCALE: 1/8" = 1'-0"

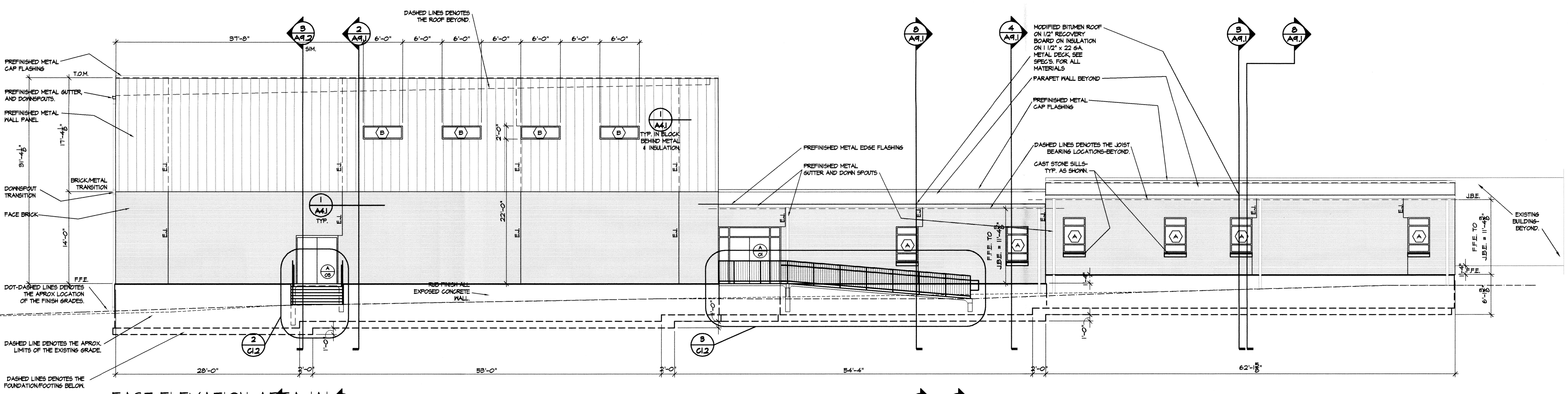


**PARTIAL WEST ELEVATION-AREA 'A'**  
SCALE: 1/8" = 1'-0"

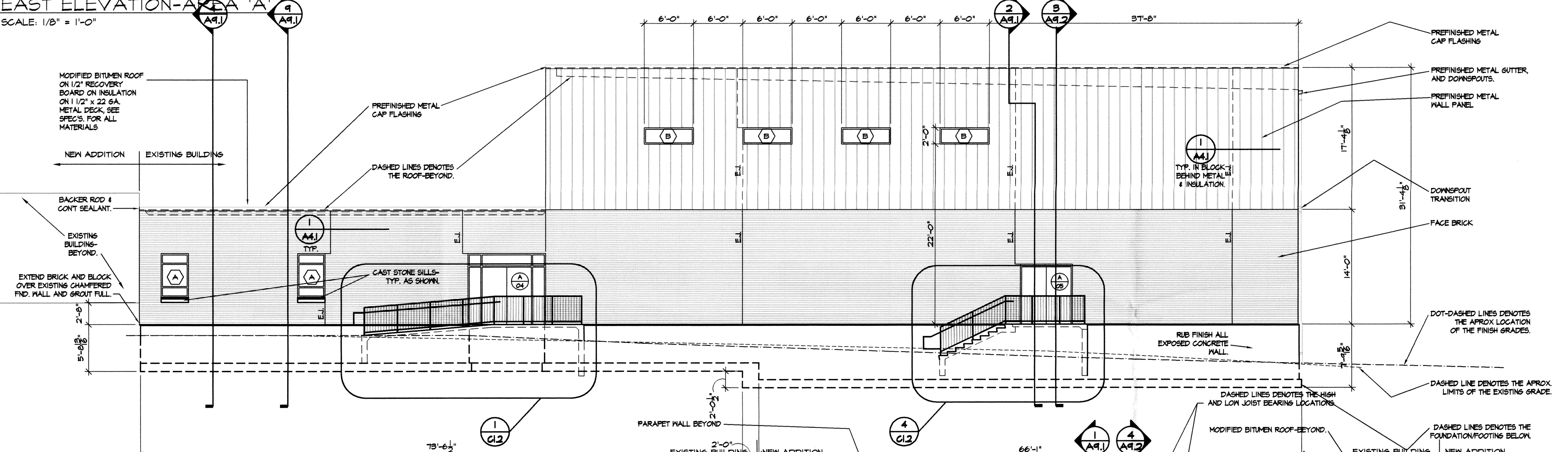
**NOTE:**  
ALL BOND BEAMS SHALL BE CONT. DO NOT RUN MASONRY CONTROL JOINT THROUGH BOND BEAM.



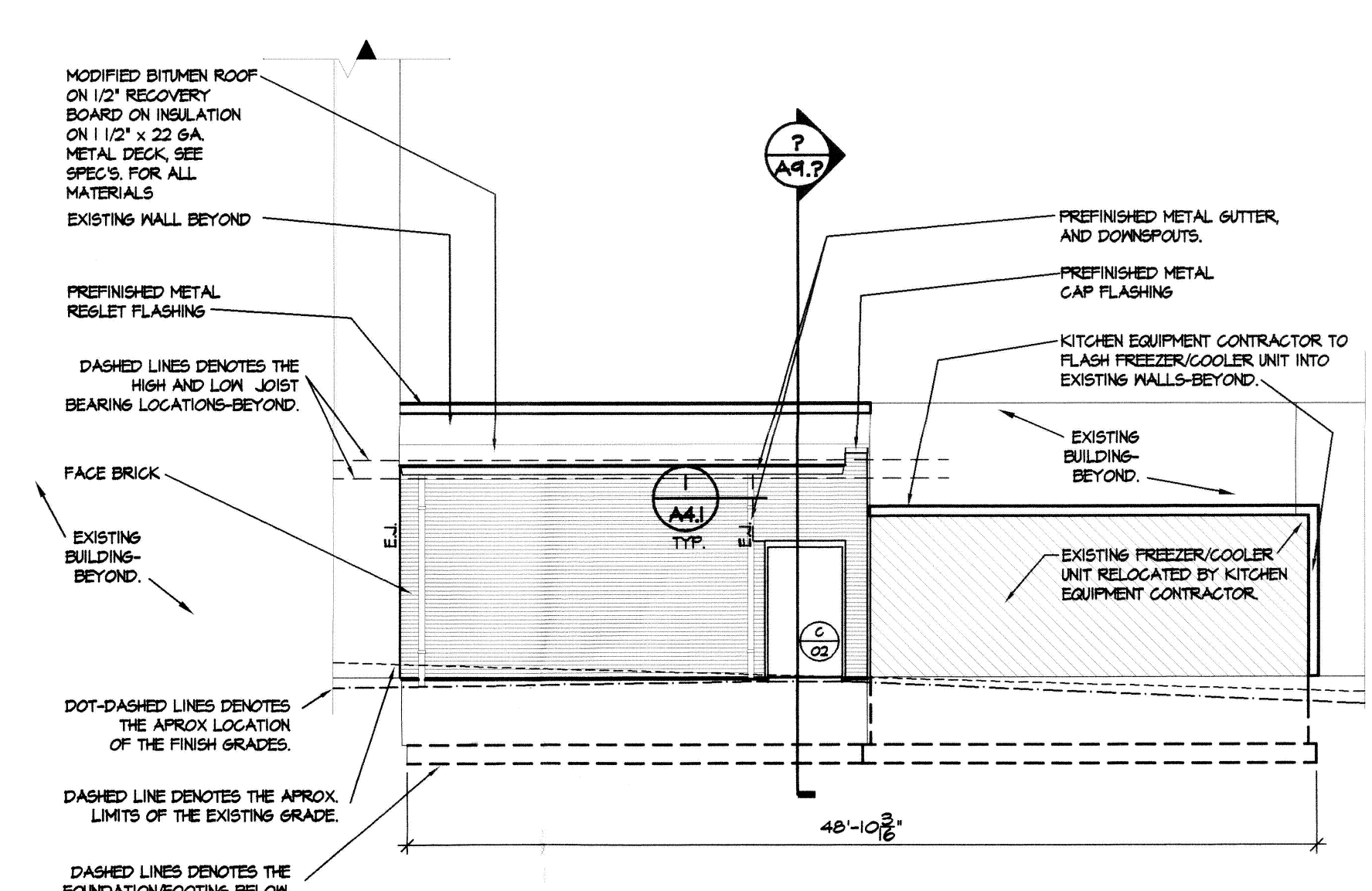
**CONTROL JOINT DETAIL**  
SCALE: 1" = 1'-0"



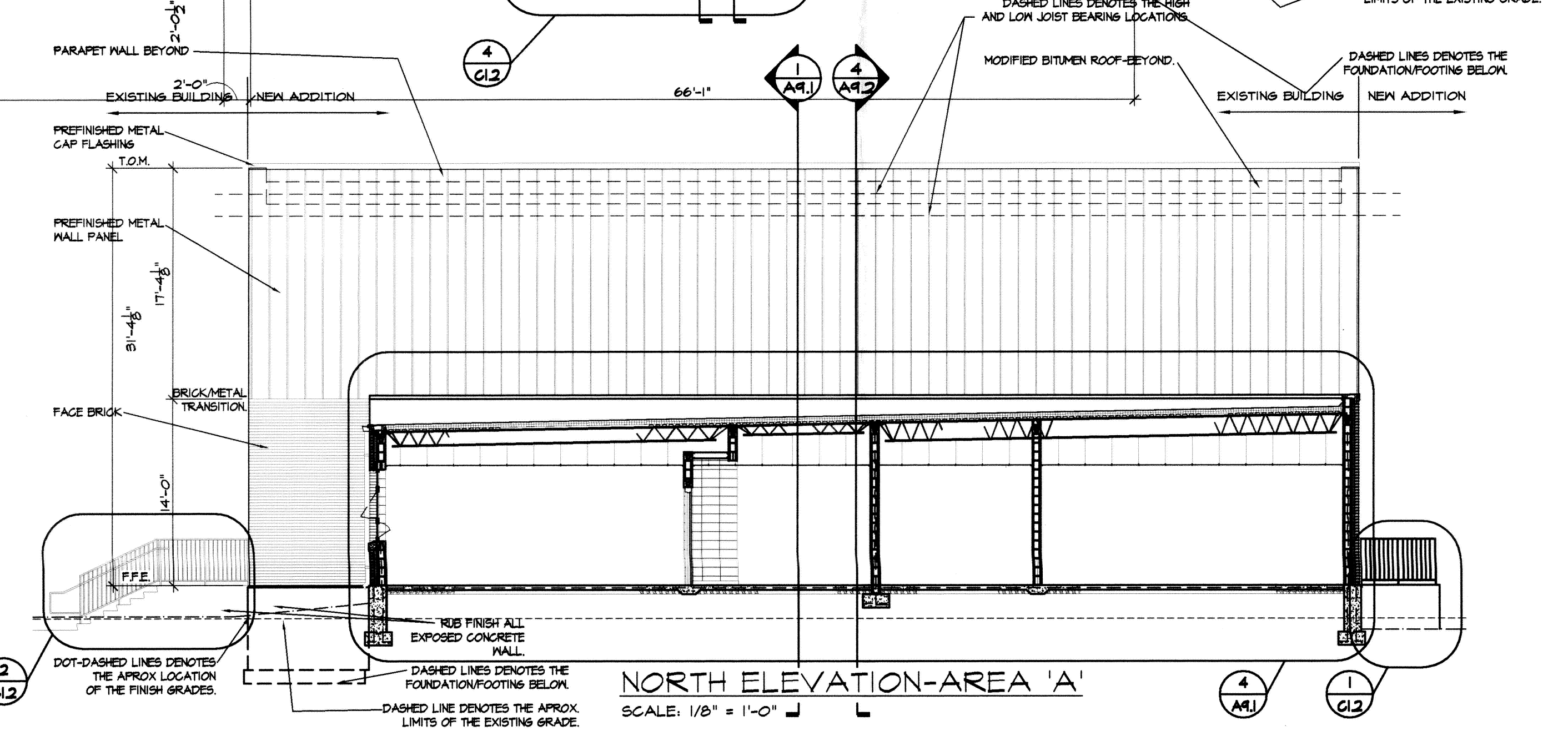
**EAST ELEVATION-AREA 'A'**  
SCALE: 1/8" = 1'-0"



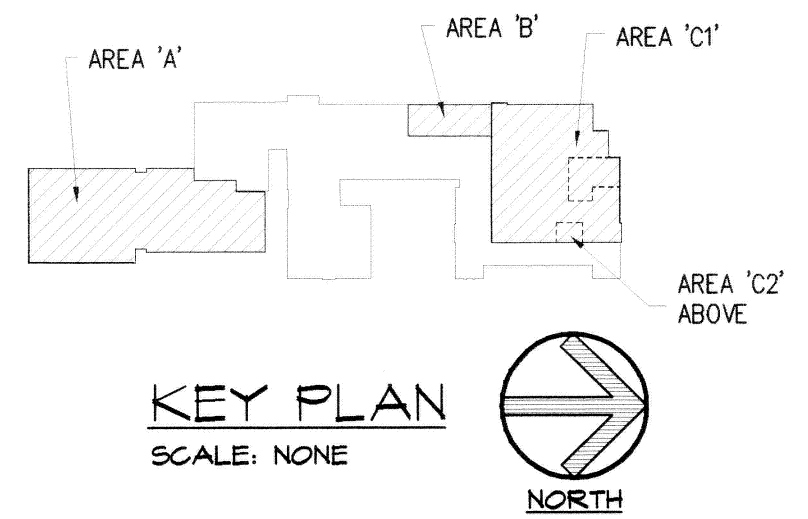
**WEST ELEVATION-AREA 'A'**  
SCALE: 1/8" = 1'-0"



**PARTIAL NORTH ELEVATION-AREA 'C1'**  
SCALE: 1/8" = 1'-0"

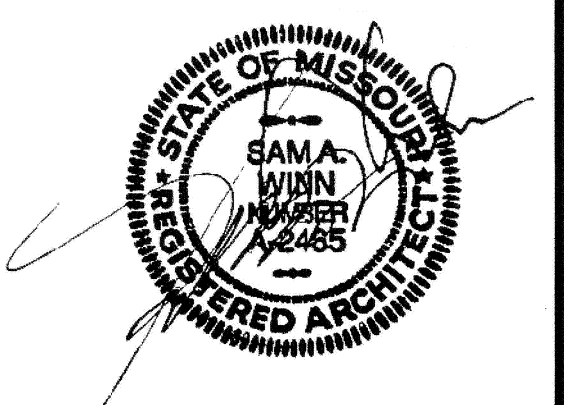


**NORTH ELEVATION-AREA 'A'**  
SCALE: 1/8" = 1'-0"



**KEY PLAN**  
SCALE: NONE

**IMPORTANT:** ANY DISTURBANCES OF EXISTING CONDITIONS SHALL BE RESTORED TO MATCH EXISTING BUILDING FEATURES. THIS WILL INCLUDE ALL BUILDING COMPONENTS, FINISHES, SITE FEATURES, ETC.



**ADDITION AND ALTERATIONS TO EXISTING EUGENE FIELDS ELEMENTARY SCHOOL**

**MEXICO 59 SCHOOLS**

**AUDRIAN COUNTY MISSOURI**

Copyright 2005      SAU and ASSOCIATES ARCHITECTS, P.C.

**SAW**  
Sam A. Winn & Associates  
ARCHITECTS, P.C.  
A.I.A.

1643 SOUTH ENTERPRISE  
SPRINGFIELD, MO 65804  
(417) 882-7821  
FAX (417) 882-1876

**BUILDING ELEVATIONS**

Comm. No.      #0533

Date:      10-31-2005

**A4.1**