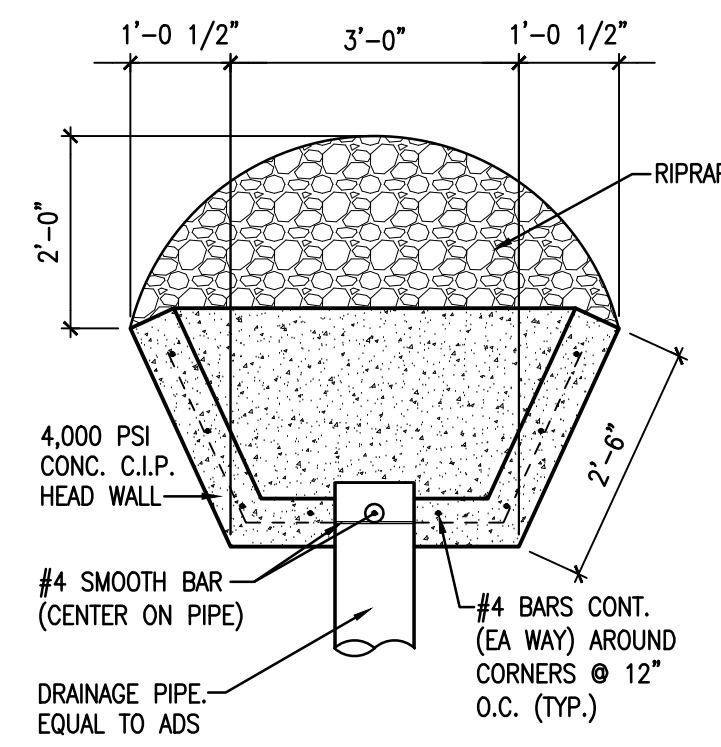
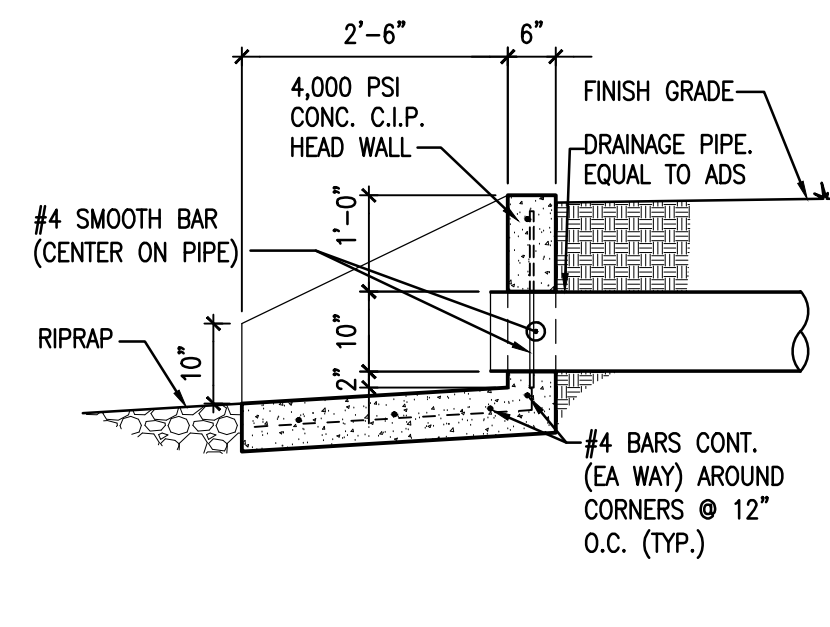


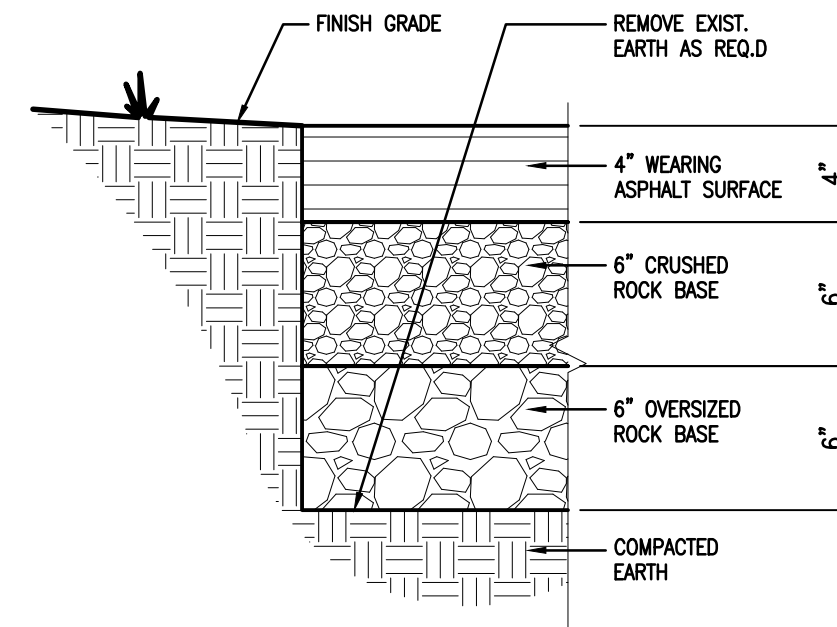
CATCH BASIN DETAIL
SCALE: 1 1/2" = 1'-0"



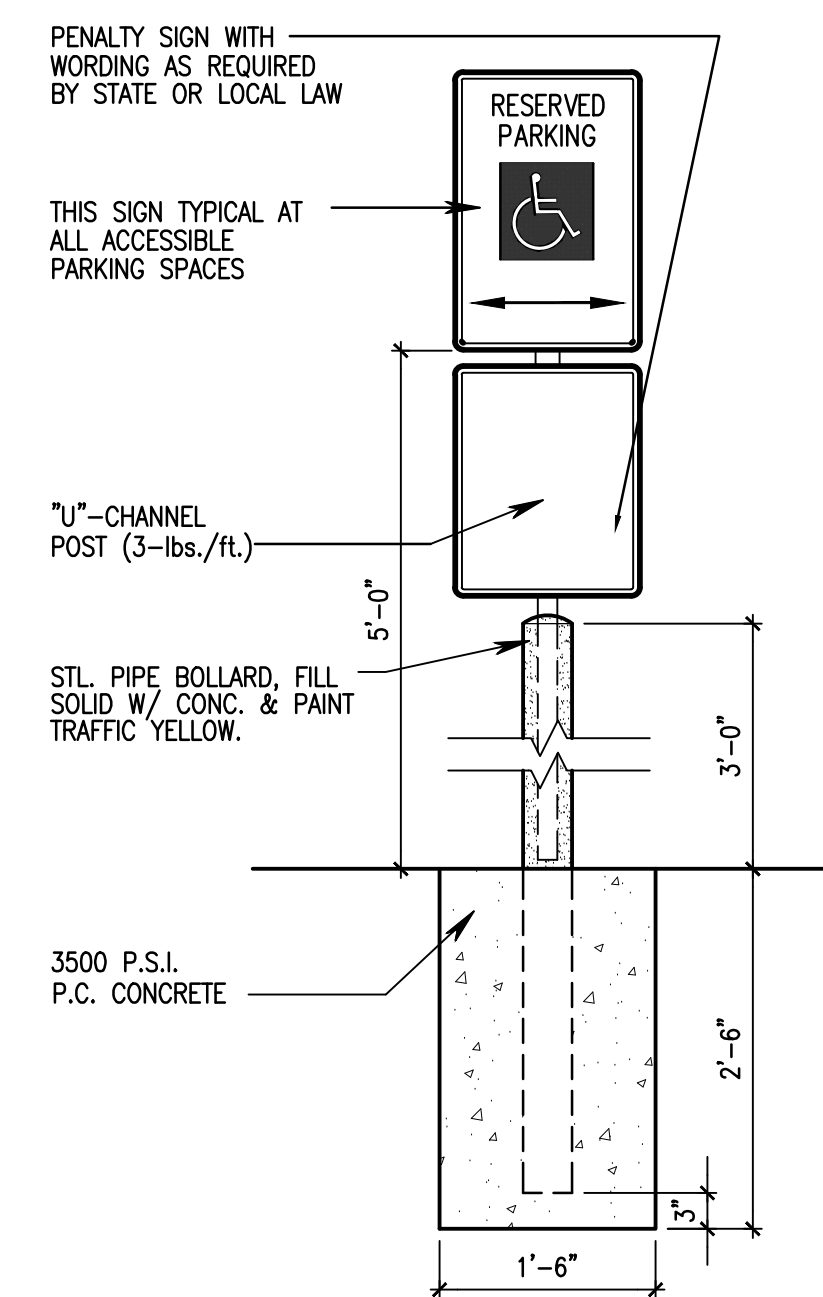
HEAD WALL DETAILS - PLAN/SECTION
SCALE: 1/2" = 1'-0"



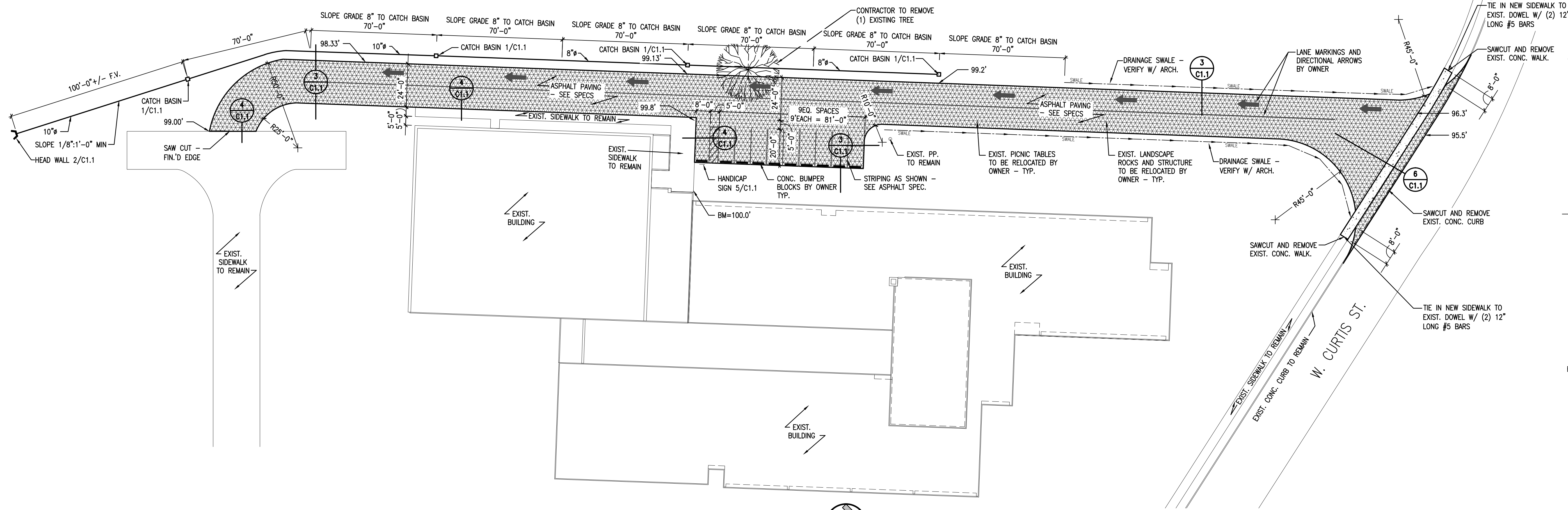
ASPHALT PAVING DETAIL
SCALE: 1 1/2" = 1'-0"



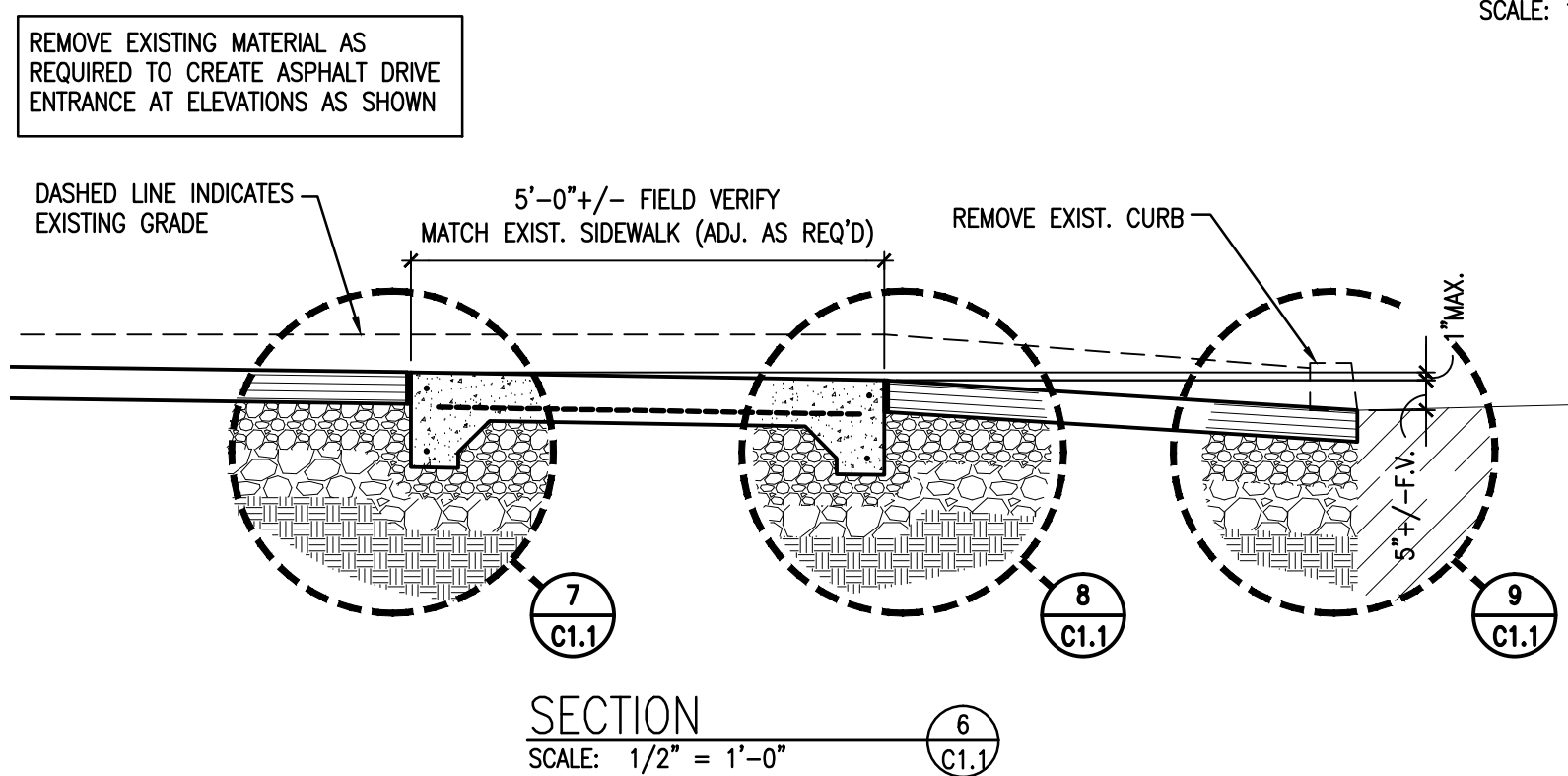
ASPHALT PAVING DETAIL
SCALE: 1 1/2" = 1'-0"



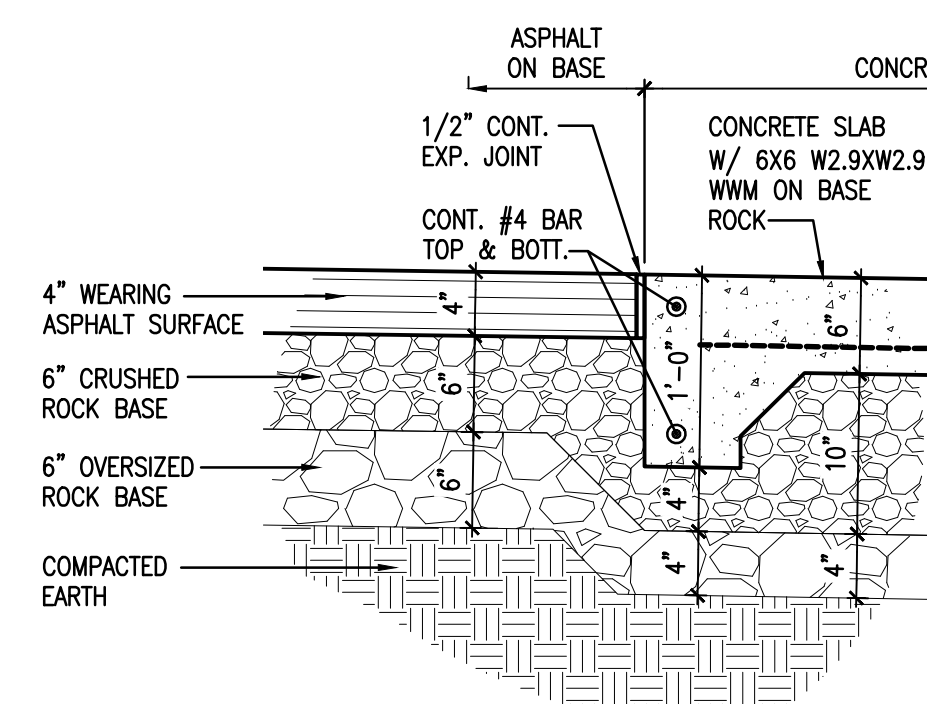
HANDICAP SIGN DETAIL
SCALE: 3/4" = 1'-0"



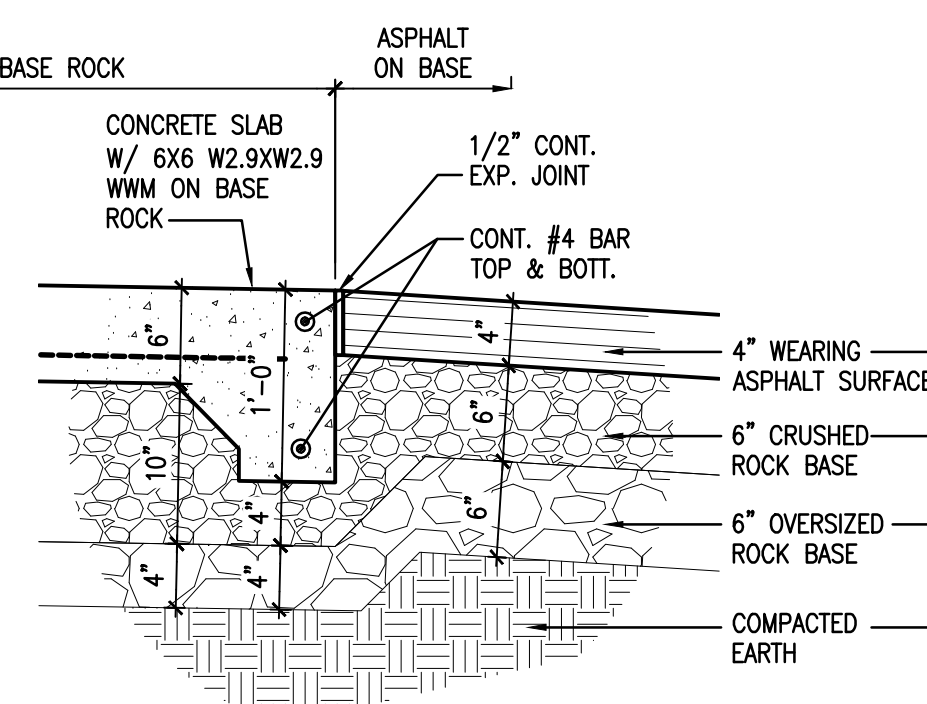
SITE PAVING PLAN
SCALE: 1" = 30'-0"



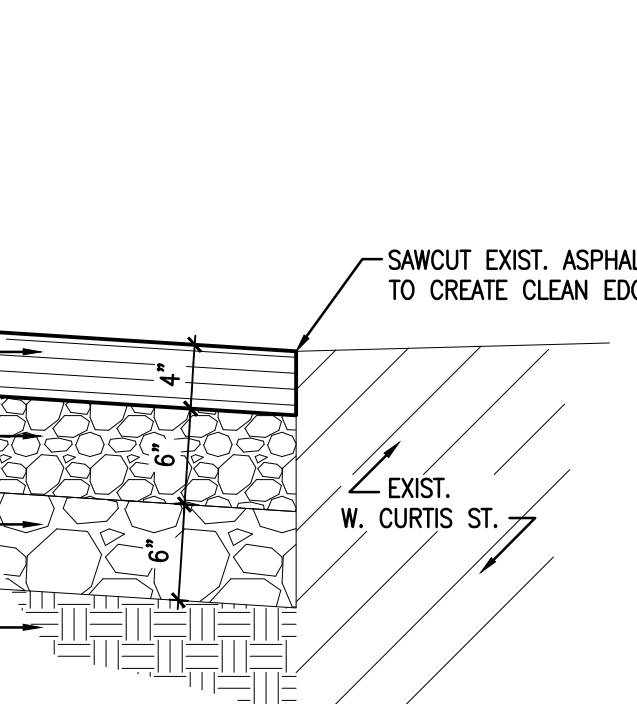
SECTION
SCALE: 1/2" = 1'-0"



SECTION
SCALE: 1" = 1'-0"



SECTION
SCALE: 1" = 1'-0"



SECTION
SCALE: 1" = 1'-0"

THE CONTRACTOR WILL VERIFY ALL UNDERGROUND UTILITIES BEFORE EXCAVATION
CALL 2 DAYS BEFORE YOU DIG
1-800-DIG-RITE
MISSOURI ONE CALL SYSTEM, INC.

PENALTY SIGN WITH WORDING AS REQUIRED BY STATE OR LOCAL LAW

THIS SIGN TYPICAL AT ALL ACCESSIBLE PARKING SPACES

1/2" CHANNEL POST (3-lbs./ft.)

STL. PIPE BOLLARD, FILL SOLID W/ CONC. & PAINT TRAFFIC YELLOW.

3500 P.S.I. P.C. CONCRETE

Sam A. Winn & Associates ARCHITECTS, P.C.
FAX: (417) 882-1876 PHONE: (417) 882-7821
1647 SOUTH ENTERPRISE SPRINGFIELD, MO 65804
WWW.SAMWINNARCH.COM

-PRELIMINARY- NOT FOR CONSTRUCTION, RECORDING PURPOSES OR IMPLEMENTATION

NEW ASPHALT DRIVE & STORM WATER TO EXISTING ELEMENTARY SCHOOL FOR MEXICO 59 SCHOOL DISTRICT
AUDRAIN COUNTY, WHEATON, MISSOURI

Revision Number Revision Date

Comm. No. 1403
Date: 02-10-2014

File: C1.1.DWG

Last Saved by: ESHULER
COPYRIGHT 2014 SAM A. WINN AND ASSOCIATES ARCHITECTS, P.C.

SITE PAVING PLAN AND DETAILS

C1.1