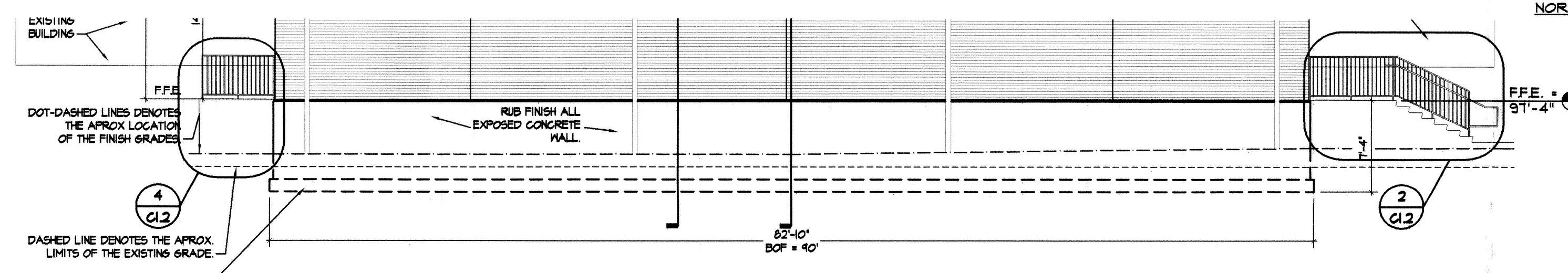
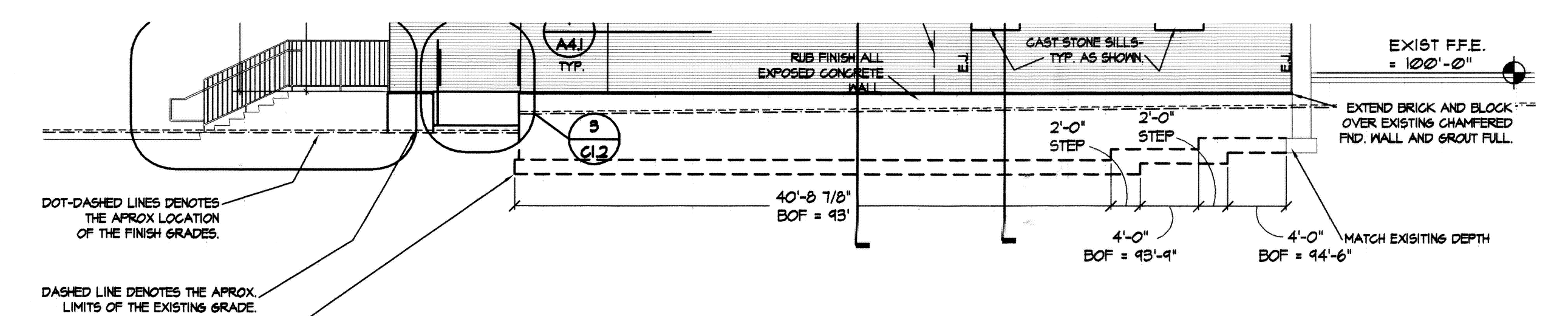


NOTE:
OUTER DIMENSION POINTS SHOWN ON THIS FLOOR PLAN ARE TO THE FACE OF THE BRICK.

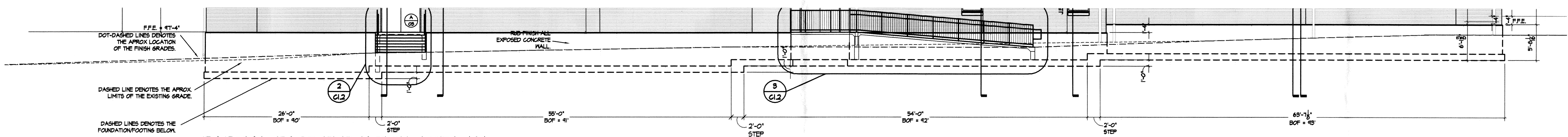
BOTTOM OF FOOTING ELEVATIONS - AREA 'A'
SCALE: 1/8" = 1'-0"



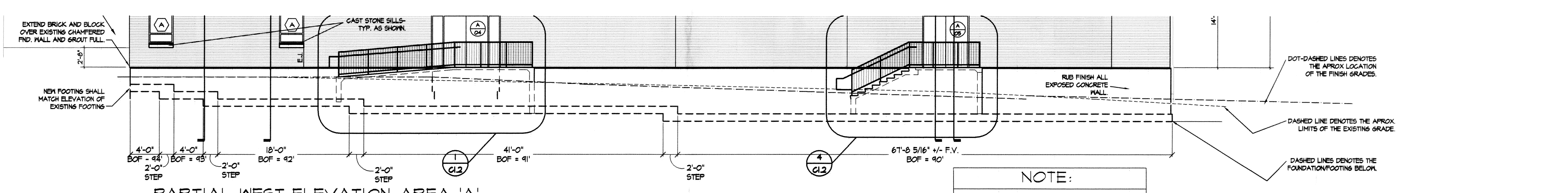
PARTIAL SOUTH ELEVATION-AREA 'A'
SCALE: 1/8" = 1'-0"



PARTIAL NORTH ELEVATION-AREA 'A'
SCALE: 1/8" = 1'-0"



PARTIAL EAST ELEVATION-AREA 'A'
SCALE: 1/8" = 1'-0"



PARTIAL WEST ELEVATION-AREA 'A'
SCALE: 1/8" = 1'-0"

NOTE:
OUTER DIMENSION POINTS SHOWN ON THESE ELEVATIONS ARE TO THE OUTER FACE OF THE FOOTING.

**ADDITION AND ALTERATIONS
TO EXISTING EUGENE FIELDS
ELEMENTARY SCHOOL**

MEXICO 59 SCHOOLS

**AUDRIAN COUNTY
MEXICO, MISSOURI**

COPYRIGHT 2004 SAU WINN AND ASSOCIATES ARCHITECTS, P.C.

SAW
Sam A. Winn & Associates
ARCHITECTS, P.C.
A.I.A.
1643 SOUTH ENTERPRISE
SPRINGFIELD, MO 65804
(417) 882-7821
FAX (417) 882-4878

**FOOTING
STEP
CLARIFICATION**

Comm. No. **0533**
Date: **10-31-2005**

CL-2