



TR
SERIES

Troffer Retrofit Kit

Product Description

The TR troffer retrofit kit is designed to offer the end user a cost effective way to increase the efficiency and lumen output of existing troffer fixtures.

Applications include warehouse, general lighting, classrooms, gymnasiums and retail applications.

TR retrofit kits are available with a variety of lamp and reflector combinations – allowing the customer to design the TR system to meet or exceed existing light levels and customize the “look” to match their specific needs. Optimum Lighting recommends the coupling of the Enhanced Specular reflector with high lumen “Super” T8 lamps – as a way to maximize lumen output and fixture efficiency.

The TR strip retrofit is designed for easy installation in existing troffer fixtures.

Product Construction

The TR fixture’s socket bars are made from pre-painted heavy gauge cold rolled steel. They are designed to fit most standard troffer fixtures.

Optical Reflector system is precision brake formed of the selected aluminum material. The one piece reflector is removable without the use of tools, and is designed to simply snap into place.

Lampholders are made of a Polycarbonate material; these locking-style lampholders are utilized to ensure positive lamp retention. Additionally, the material contributes to a longer life product in high temperature applications.

Ballasts are electronic programmed-start (T5HO) or instant-start (T8) as a standard. Optional ballasts are available, consult factory for available systems and system specifications. Available voltages: 120v, 277v, 347v, voltage sensing 120-277v and 347-480v.

Optional Lens and Louvers are offered as a way for the end user to increase the efficiency or improve the look of existing troffer fixtures. See ordering information.

Listings – All fixtures are UL and CUL listed.

RETROFIT
FIXTURES



The Brightest Energy Solution

Phone: (800) 541-9082 Fax: (888) 214-7667 Web: www.optimumlighting.com

TR – Fixture Ordering Information

Fixture Series*1	Lens*2	Size (Ft)	# of Lamps	Lamp Type	Voltage	# Ballasts	Ballast Type	Reflector	Options	Lamp Color	Lamp Options*4
TR	BLANK	14	1	17	BLANK	BLANK	NB*3	E	E ()	BLANK	HP
	D12	22	2	24	12	1	HI	W	F	830	A
	D125	24	3	U31	27	2	LI	B	SDT	835	TG*5
	D23		4	32	34		SI		US*3	841	SS*5
	DL1			U32	UV		SI+		NS	850	ES ()
	DL2			36	HV		PS				XL
	CAL1			40			PSL				
				50			PSH				
				54			PD				
				55			SDH				
							AX				

Please Specify When Ordering:

Fixture Series	Lens*2	Size (Ft)	# of Lamps	Lamp Type	Voltage	# Ballasts	Ballast Type	Reflector	Options	Lamp Color	Lamp Options
TR											

*1 1x4 Fixture available with up to 2 – 32/54w lamps; 2x2 Fixture available with up to 4 – 17/24w/U31w/36/40/50/55w or 2 – U32w; 2x4 Fixture available with up to 4 – 32w/36w/40w/50w/54w/55w lamps (Consult Factory for Custom Configurations)

*2 When ordering the lens option, accurate lens dimensions must be provided.

*3 TR ordered with No Ballast will be shipped with Shunted Sockets, unless Unshunted Sockets are specified.

*4 Consult Factory for Manufacturer Specific Ordering Codes/Availability.

*5 Use in lensed fixtures is limited. Contact factory for specific application details.

Lens Selections Blank No Lens Included D12 Standard Prismatic D125 0.125" Prismatic D23 23 Pattern High Dispersion, High Efficiency DL1 0.118" Clear Lexan DL2 0.220" Clear Lexan CAL1 0.118" Clear Acrylic	Voltage Selections BLANK No Ballast 12 120V 27 277V 34 347V UV 120-277V HV 347-480V	Ballast Selections NB Ballast Not Included HI High Ballast Factor (HBF) Electronic* LI Low Ballast Factor (LBF) Electronic* SI Standard Ballast Factor (NBF) Electronic** SI+ 1.0BF Electronic* PS Programmed Start (NBF) PSL Programmed Start LBF* PSH Programmed Start HBF*** PD Programmed Start Dimming SDH Step Dimming HBF (100% to 60% Dimming)* AX Daylight Harvesting Ballast with remote mount photosensor* * T8 Only ** T8 & 40w Biax Only *** T8, 36, 40 & 50w Biax Only	Reflector Selections E Enhanced Aluminum W Highly Reflective White Aluminum B 95% Reflective Extreme White Aluminum Options Selections E() Emergency Pack (# Lumens) F Inline Fuse SDT Step Down Transformer (480 to 277V) US Unshunted Sockets NS No Sockets	Lamp Color Selections BLANK Lamps Not Included 830 80+ CRI, 3000K 835 80+ CRI, 3500K 841 80+ CRI, 4100K 850 80+ CRI, 5000K Lamp Options Selections HP High Performance, Long Life Lamps* A Amalgam Tip Lamps** TG Tubeguarded Lamps SS Shattershielded Lamps ES() Energy Saver (Specify Wattage)*** XL Long Life* * T8 Only ** T5HO Only *** 32,U32,40,54w Only
--	--	--	---	--

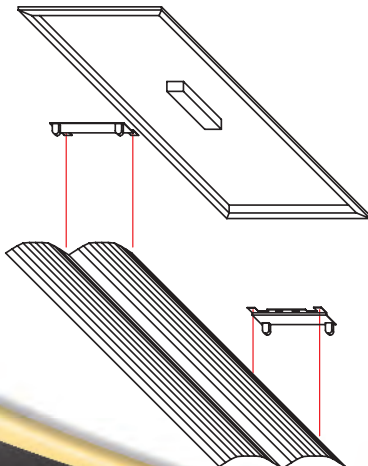
Common Fixture Selections

Catalog Number	System	# of Lamps	Wattage (120/277V)*	Initial System Lumens*	Mean System Lumens*
TR D12 22 117 UV 1LI E	T8	1	14w/14w	1,185	1,146
TR D23 24 232 UV 1HI W	T8	2	74w/73w	7,130	6,900
TR CAL1 24 254 UV 1PS B	T5HO	2	116w/115w	10,000	9,500
TR DL1 24 432 UV 1HI E	T8	4	148w/145w	14,632	14,160

*Wattages may vary depending on the ballast manufacturer and lamp type used.

Initial and mean system lumens are the initial/mean lumen output of the lamp/ballast system as rated by lamp and ballast manufacturer and may vary from manufacturer to manufacturer.

Specifications and dimensions subject to change without notice. Contact Optimum Lighting for current availability and ordering information.



Fixture Type: _____

Catalog #: _____ Quantity: _____

Project: _____

RETROFIT
FIXTURES